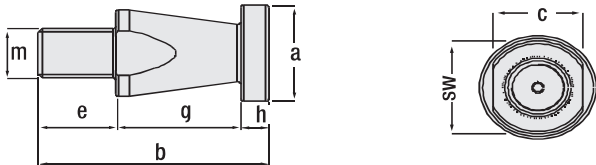


Die Lifting Bolt

Code: 2730

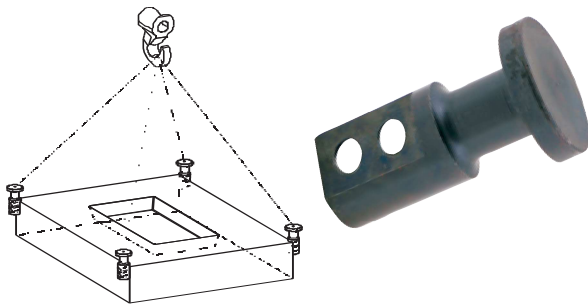


Carrying Bolt Thread Dimensions: M 16 x 2 thread - M20 x 2.5 thread
 Carrying Load of a Lug : 2730.16 / 660 Kg.
 2730.20 / 1000 Kg.

m	a	b	c	SW	e	g	h
M16	39	85	35	30	30	45	10
M20	39	85	35	30	30	45	10

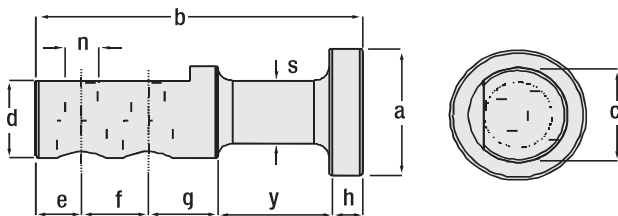
Order: 2730.m

Material: CK45 DIN
 Black Coated



Die Lifting Lug

Code: 2750

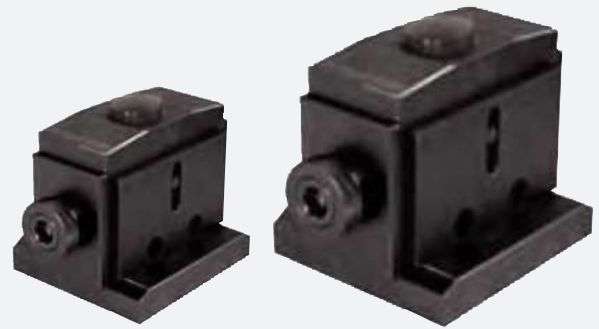


Lug Clamping Screw Size : M10 x 35 cylinder head cap screw "12.9" / 2 pcs.
 Carrying Load of a Lug : 400 Kg. / Example: 4 lugs 2.5 tons

a	b	c	d	e	f	g	h	i	n	s
44	108	32	27	15	22	23	11	37	11	22

Page 114

Order: 2750.a

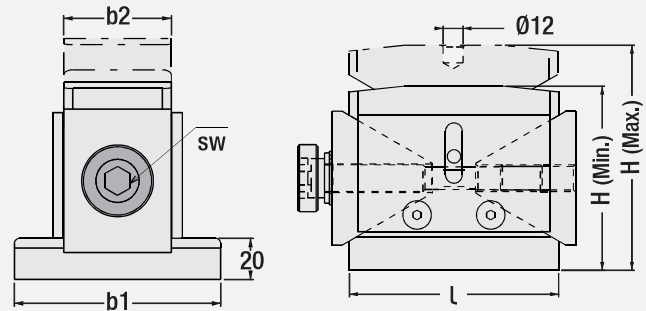


Wedge - Support Block

Code: 1520

With this block, lifting and sliding positions of large die / mould are provided.

Centering hole with spherical, buttress gear head is 12 mm



Block surface is machined precision and is designed especially supporting or lifting of heavy parts. Quite robust construction is allowed to do precision and smooth height setting as 1 / 10 mm precisely, height setting can be done with knurled screw or allen key, double effects are generated precision vertical motion without great stroke and lateral sliding. It can be used at large machine tools and processing of heavy cast and forging especially after stamping.

Code: 1520

H /Min.	H Max.	b1	b2	L	sw	Kgf	Weight Kg.
50	63	-	40	63	8	4000	1.90
100	125	115	60	125	14	10000	9.90
170	190	145	80	175	22	25000	28.4

Block Support

- * This product is especially designed to support and carry heavy parts.
- * Material: CK45 DIN
- * Hardness: 35 -38 HRC
- * Black Coated



Order: 1520. H x b1