

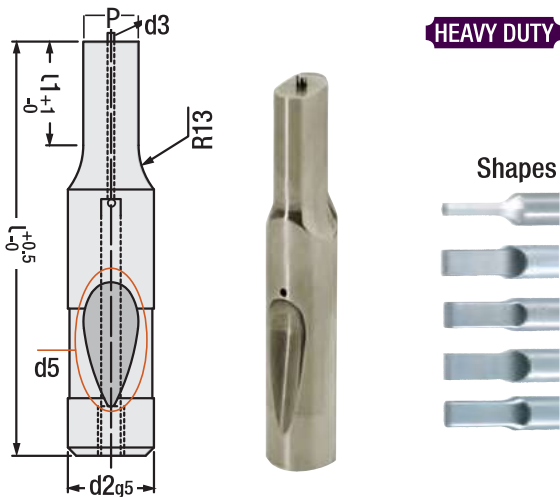
Ball Lock Punch with Ejector, Heavy Duty (Blank type) Code: BAFZ

Body and cutting edge are precision ground. It is for durable parts in all kinds of dies. Also, full or partial coating can be preferred upon request, by providing resistance against heat and friction on external layer, it solves problems such as winding and cold welding, coating thickness is 2 - 4 microns.

d2	d5	d3	L	d2	d5	d3	L			
Ø 10 mm	10 mm	Ø 4	71	Ø 25 mm	12 mm	Ø 6	80			
			80				90			
			90				100			
			100				110			
Ø 13 mm	12 mm	Ø 5	71				125			
			80				90			
			90				100			
			100				110			
Ø 16 mm	12 mm	Ø 5	71				Ø 32 mm	12 mm	Ø 6	80
			80							90
			90							100
			100	110						
			125	125						
Ø 20 mm	12 mm	Ø 6	71	Ø 40 mm	12 mm	Ø 6				80
			80							90
			90							100
			100							110
			125							125

Order: **BAFZ.** d2 x L

Material: 1.3343 (M2)
Hardness: 60 - 62 HRC



Ball Lock Stepped Punch with Ejector, Heavy Duty Code: BAF..

Types: **BAFY - BAFO - BAFK - BAFD - BAFA - BAFM - BAFX - BAFP**

Please refer to the table on the right side

How to order:
Shape
d2
P/W
L1
L
Material

BAFO x 13 x P8.2 x W6.1 x 19 x 100 - M2

- When P = d2 shank / body tolerances apply.
- Standard ball socket location is at 90°.

Order d2	Ball Socket d5	Pin d3	d1 / Shape		Standard L1	Alternative L1 Min. Max.		L mm
			(BAFY) Round P	Other Shapes W G/P				
BAF..10	10	4	2.5 ~ 9.98	2.5 - 10	19	10	19	71
BAF..13	12 mm	5	5.0 ~ 12.98	4.5 - 13	19	13	25	
BAF..16		5	8.0 ~ 15.98	6.0 - 16	19	13	25	
BAF..20		6	12 ~ 19.98	8.0 - 20	19	13	25	
BAF..25		6	16 ~ 24.98	10 - 25	19	13	25	
BAF..32		6	24 ~ 31.98	12 - 32	19	13	25	
BAF..40		6	30 ~ 39.98	14 - 40	25	19	30	

Order: **BAF**(type). d2 x (P/W) x L1 x L

Material: 1.3343 (M2)
Hardness: 60 - 62 HRC

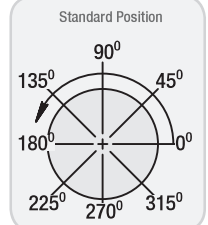
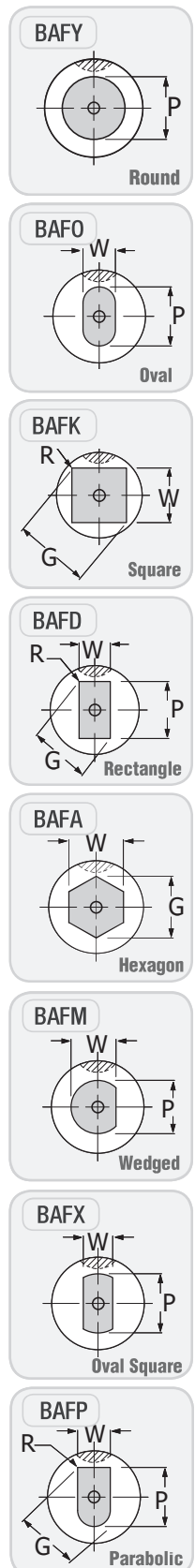
Standard Tolerances

Round P +0.1/-0.0	⊙0.1 From P to d2
Shape P,W,G ±0.1	⊙0.2 From P to d2

Standard position of ball socket is 90°. It can be preferred as 0° - 180° - 270°.

Note: By looking their position at die from upper surface of die, parts are displayed. Positions of punches are determined by looking along body. It is determined by tracking from the upper surface.

Shapes



Note: Special dimensions on request.