

**NEW**



### Bush for Dowel Pin, with Bonding

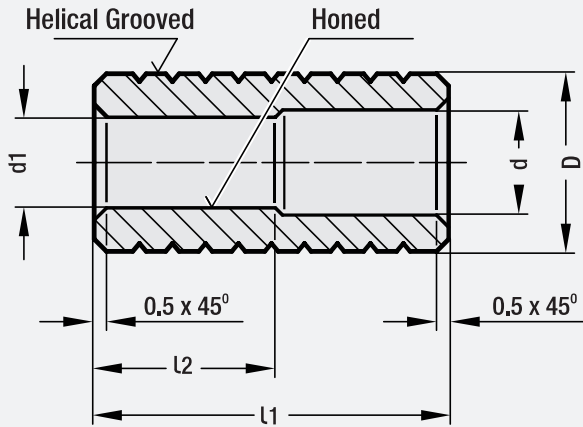
Code: **YTB**

\* **YTB** products are suitable for "m6 tolerance dowel pins".

Hardened liner bushes solves friction problems in soft / unhardened parts which are frequently removed and changed. They are aligned in a mutual axis with close pin fixture and bonded (with Superglue) to cutting gaps roughly opened and inserted. Liner bushes for dowel pins in hardened parts helps eliminating failure caused by heat-treatment.

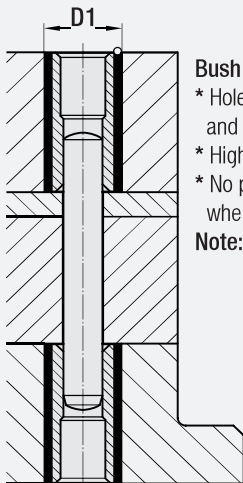
Retainer holes for liner dowel pin bushes should be 2 mm larger in diameter than the bush outer diameter, a rough finish is desired.

Following exact positioning, a superglue is used for bonding and bush mounting is completed.



Code: **YTB**

d1	d	D	D1	l1	l2
6	7	10	12	25	12
8	9	12	14	30	16
10	11	16	18	36	20



#### Bush for Dowel Pin, with Bonding:

- \* Hole tolerance "D" gives extraction fit of bush place and provides best bush retaining.
- \* High precision and hardness.
- \* No problem is encountered for finding positions when replacing bushes.

**Note:** We do not recommend press-fit for bushes.



Order: **YTB. d1 x l1**

**Material:** 1.7131 (16 MnCr 5)  
**Hardness:** 54 - 58 HRC



### Bush for Dowel Pin, with Push Fit

Code: **CTB**

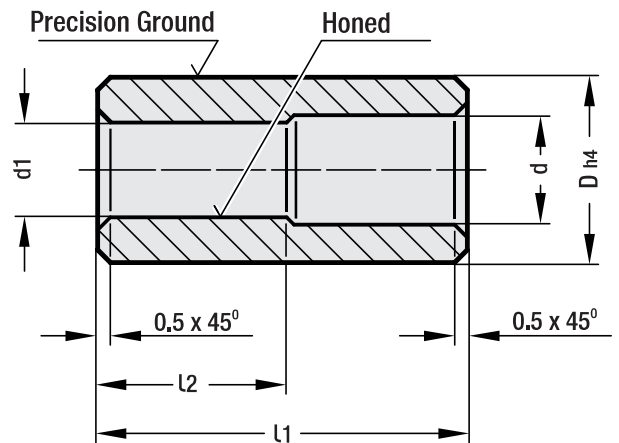
\* **CTB** products are suitable for "m6 tolerance dowel pins".

Bush position is given by push fit hole tolerance H6, thus high precision is provided.

\* High precision and hardness.

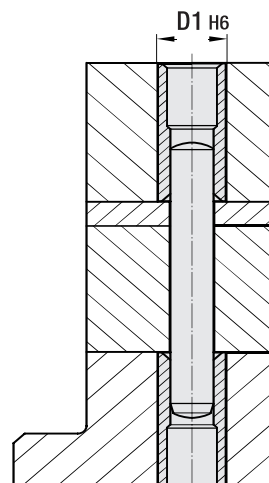
\* No problem is encountered for finding positions when replacing bushes.

**Note:** We do not recommend press-fit for bushes.



Code: **CTB**

d1	d	D	D1 H6	l1	l2
6	7	10	10	25	12
8	9	12	12	30	16
10	11	16	16	36	20



Order: **CTB. d1 x l1**

**Material:** 1.7131 (16 MnCr 5)  
**Hardness:** 54 - 58 HRC

