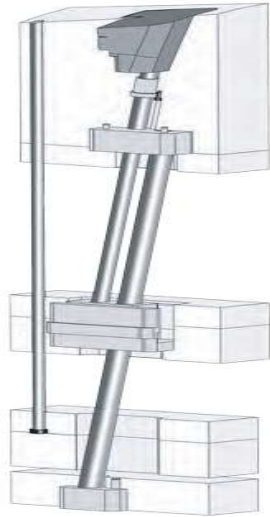


Traditional Mounting



Single Ejector System



Automatic Dog Lifter

Code: DB

Designed to function with just one set of ejector plates, saving machining costs and reducing the size of the mould. Undercuts of up to 26mm with just 56mm stroke. This innovative system gives the capability of designing their own insert.

Material: PKT-117 **Hardness:** 42 ± 2 HRC.
Gas Nitrided ≈ 840Hv.



Dog Lifter Limiter

Code: LD

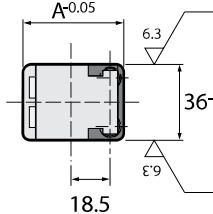
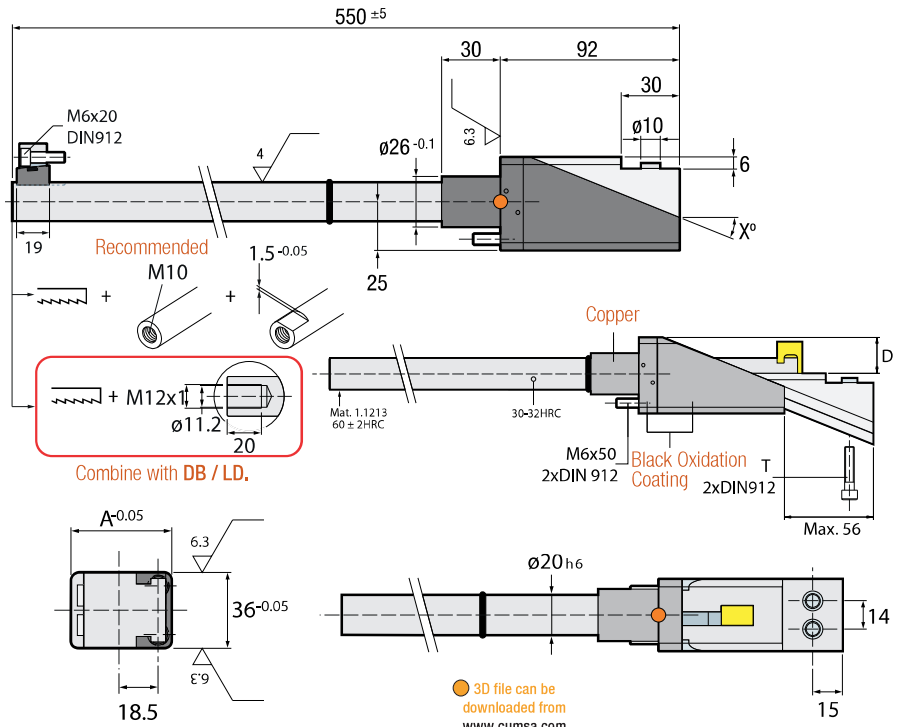
In single ejector plate systems. Limits the stroke of a lifter with respect to the ejector stroke. Enables two stage ejection with only one ejector plate. All movements are 90° to the parting line. Minimum space required for installation.

Material: 1.2311 Gas Nitrided ≈ 840Hv.

90° Machining and
mould area



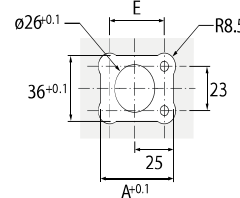
Dual Ejector System



Order	A	D	E	T	X
DB.482292	48	22	35	6x40	22
DB.542792	54	26	41	6x45	26

Pocket Detail

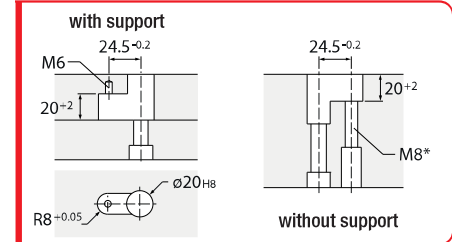
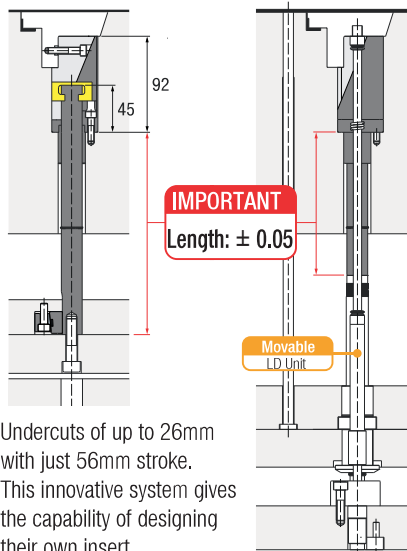
Pls. machining as indicated.



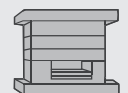
Order
LD.142130

"DB / LD" order should be given separately

IMPORTANT
Length: ± 0.05



Injection
Moulds



Page
233