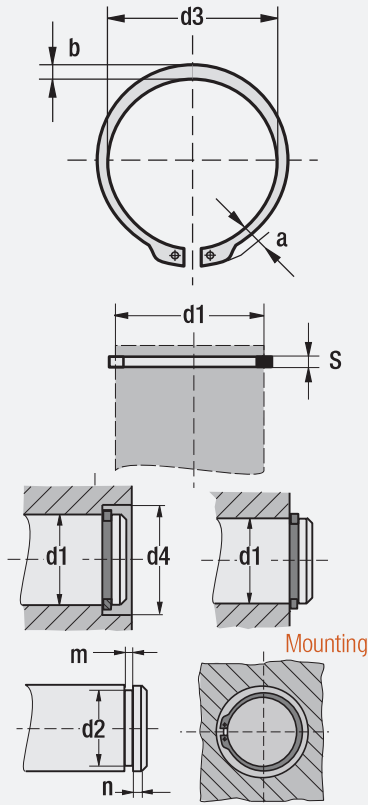




External Circlip Code: DIN471



Code: DIN471

d1	S	a	b	d3	d4	m
16	1.0	3.5	2.2	14.7	24.4	1.1
20	1.2	4.0	2.6	18.5	29.0	1.3
21		4.1	2.7	19.5	30.2	
22		4.2	2.8	20.5	31.4	
24		4.4	3.0	22.2	33.8	
25		4.4	3.0	23.2	34.8	
26		4.5	3.1	24.2	36.1	
28	1.5	4.7	3.2	25.9	38.4	1.6
29		4.8	3.4	26.9	39.6	
30		5.0	3.5	27.9	41.0	
34	1.75	5.4	3.8	31.5	45.8	1.85
37		5.7	4.1	34.2	49.4	
39		5.8	4.2	35.2	50.6	
45		6.7	4.7	41.5	59.4	
50	2.0	6.9	5.1	45.8	64.8	2.15
54		7.1	5.3	49.8	70.0	



Order : DIN471. d1 x S

Code: G77

d1	L	d2	d3	K	L2	m	n	d4	d5	Circlip
12	26	16	19	4	16	1.1	4.9	15.2	24.3	DIN 471 Ø 16
	36				26					
	46				36					
	56				46					
	66				56					
14	26	20	25	6	16	1.3	2.7	19	29.1	DIN 471 Ø 20
	36				26					
	46				36					
	56				46					
	66				56					
76	66									
16	26	24	28	6	16	1.3	2.7	22.9	34	DIN 471 Ø 24
	36				26					
	46				36					
	56				46					
	66				56					
76	66									
20	26	28	32	6	16	1.6	2.4	26.6	38.5	DIN 471 Ø 28
	36				26					
	46				36					
	56				46					
	66				56					
76	66									
25	26	34	38	8	14	1.6	2.4	32.3	46.1	DIN 471 Ø 34
	36				24					
	46				34					
	56				44					
	66				54					
76	64									
86	74									
96	84									
106	94									
30	36	39	43	10	21	1.85	3.15	37	52.1	DIN 471 Ø 39
	46				31					
	56				41					
	66				51					
	76				61					
86	71									
96	81									
106	91									
116	101									
40	46	54	58	10	28	3.35	5.85	51	71	DIN 471 Ø 54
	56				38					
	66				48					
	76				58					
	86				68					
96	78									
106	88									
116	98									
126	108									
136	118									
146	128									

Order: G77. d1 x l
Material: 1.7131 - Hardness: 58 - 62 HRC

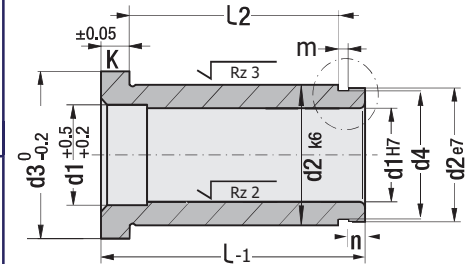


for Turkish Mould Standard

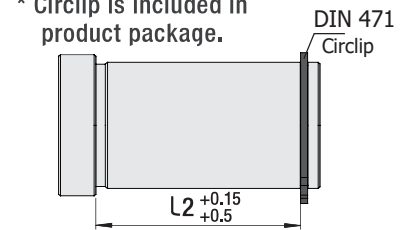


Guide Bush - Headed (with circlip slotted) Code: G77

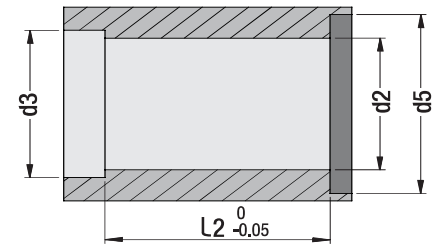
For general usage in injection mould guide systems - it prevents the bush protrude in free rotating plates (H6 centre fixing).



* Circlip is included in product package.



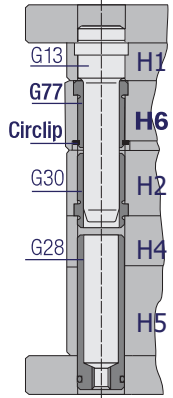
Mounting Dimensions



Compatible Pillars



Mounting Example



Injection Moulds



Page 63