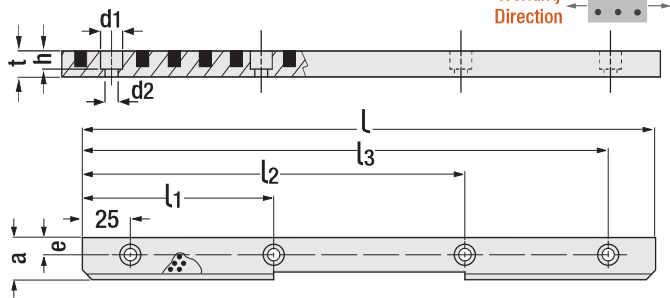




Wear Plate, Replaceable

Code: **G138**

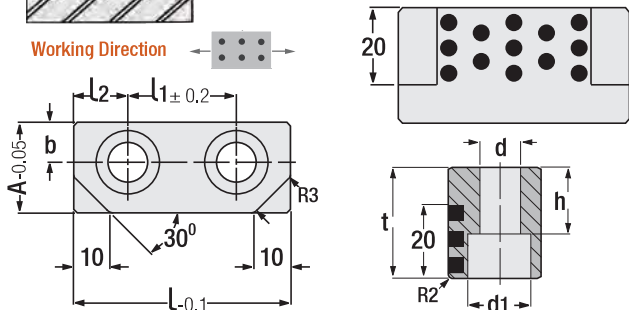
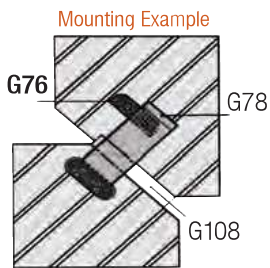


a	L	L1	L2	L3	t	h	e	d1	d2
22	100	-	-	75	10	7	9	11	6.5
	150	75	-	125					
	200	75	125	175					
	250	100	150	225					
	300	100	200	275					
50	150	75	-	125	12	9	22	14	9
	200	75	125	175					
	250	100	150	225					
	300	100	200	275					

Order: **G138. a x L**

Return Cam Plate

Code: **G76**

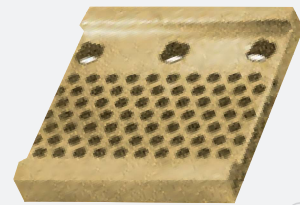
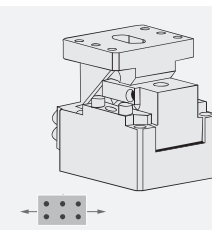


A	L	b	t	L1	L2	d	d1	h
25	60	11	30	30	15	11	17.5	18
32	60	16	38	30	15	13	20	23
32	80	16	38	40	20	13	20	23



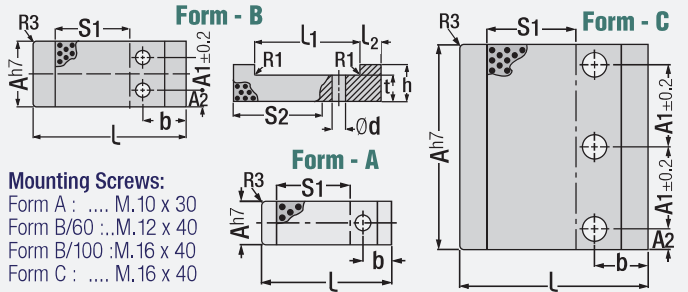
Dies

Order: **G76. A x L**



Cam Plate

Code: **G137**



Mounting Screws:

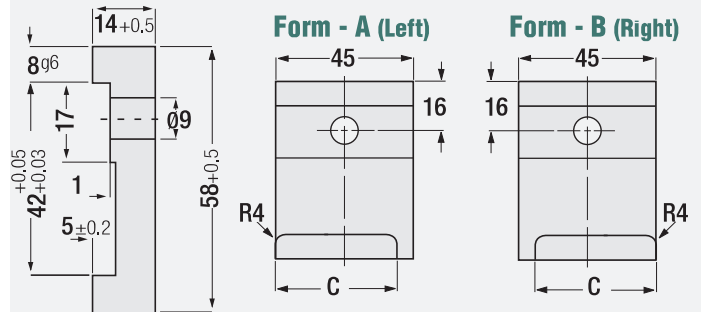
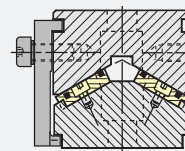
- Form A : ... M.10 x 30
- Form B/60 : ... M.12 x 40
- Form B/100 : M.16 x 40
- Form C : ... M.16 x 40

Form	A	L	h	L1	L2	A1	A2	S1	S2	b	d	t
A	30	70	17	50	10	-	-	30	40	20	11	12
		90	70	70	50	60	20	11	15			
B	45	70	25	50	10	22	11.5	30	40	20	11	15
		90	70	70	50	60	40	60	40	13	25	
		120	80	20	30	15	40	60	60	80	100	
B	60	140	35	100	20	70	15	60	80	40	18	25
		160	120	80	100	80	100					
		120	80	20	60	15	40	60	60	80	100	
B	100	140	35	100	20	70	15	60	80	40	18	25
		160	120	80	100	80	100					
		120	80	20	60	15	40	60	60	80	100	
C	150	120	35	80	20	60	15	40	60	40	18	25
		140	100	80	100	80	100					
		160	120	80	100	80	100					
		180	140	80	100	80	100					

Order: **G137. Form x A x L**

Positive Return Plate

Code: **G78**



* "C" dimension in the technical drawing is determined by the customer.

Form	Direction
A + B	Both sides
A	Left
B	Right

Material: 1.2343
Hardness: 40 - 45 HRC

Order: **G78. Form**