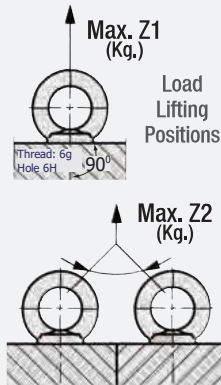
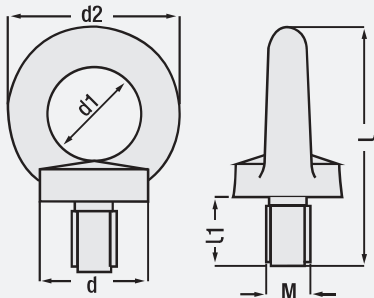


CE



**Lifting Eyebolt**  
DIN 580

Code: **G141**



Order: **G141. M**

Material: C15 Forged  
EYEBOLT: Class > 8  
EYENUT: Class > 8

Usage:  
Standard: G141  
Heavy Duty: AK-580C

**Lifting Eyebolt:** It is loaded only with forces making maximum 45° angle with vertical or circular plane, not allowed to other loadings, however such liftings are oftenly unavoidable. Please plan selection of eyebolt suitable to safety bearing in advance (its safety is provided).

Code: **G141**

M x Thread	d	d2	d1	l	l1	Weight	Z1 Ton	Z2 Ton
M8 x 1.25	20	36	20	49	13	70 gr.	0.15	0.09
M10 x 1.50	25	45	25	63	17	100 gr.	0.23	0.15
M12 x 1.75	30	54	30	73.5	20.5	180 gr.	0.34	0.20
M14 x 2.0	30	54	30	73.5	20.5	200 gr.	0.46	0.30
M16 x 2.0	35	63	35	89	27	280 gr.	0.70	0.50
M18 x 2.50	35	63	35	89	27	330 gr.	0.90	0.60
M20 x 2.50	40	72	40	101	30	420 gr.	1.20	0.80
M24 x 3.0	50	90	50	126	36	830 gr.	1.80	1.25
M30 x 3.50	65	108	60	154	45	1.66 kg.	3.60	2.50
M36 x 4.0	75	126	70	182	54	2.65 kg.	5.10	3.60
M42 x 4.50	85	144	80	210	63	4.03 kg.	7.00	4.90
M48 x 5.0	100	166	90	236	68	8.80 kg.	8.60	5.90



For Heavy Duty Parts

Order: **AK-580C**  
**EYEBOLT**  
Order: **AK-582S**  
**EYENUT**

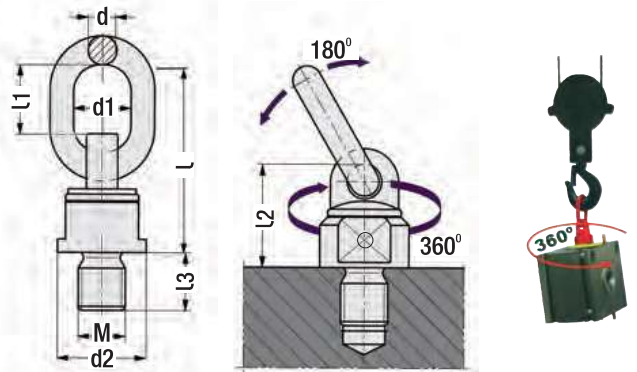
EYEBOLT (Heavy d.) AK - 580C: M27 / M30 / M36 / M42 / M45 / M48 / M56 / M60  
EYENUT (Heavy d.) AK - 582S: M27 / M30 / M36 / M42 / M45 / M48 / M56 / M60

CE



**Rotary Safety Eyebolt**

Code: **G140**



**Rotary Safety Eyebolt:** By absorbing sudden and rigid motion during lifting - bending and breaking of sling / rope / chain that can be occurred due to swinging of load, it will amortise costs above possible damages with safety lifting and carrying. Special forged steel (class 8) product, 4 times safety against fracture in rotation direction of full load, hinged rotary design that can be taken correct position and be turned axially by aligning movable ring 180° in loaded position.

Code: **G140**

M x Thread	d	d1	d2	l	l1	l2	l3	Weight
M8 x 1.25	12	30	40	98	44	46	12	0.5 kg.
M10 x 1.50	12	30	40	98	44	46	19	0.5 kg.
M12 x 1.75	12	30	40	98	44	46	19	0.5 kg.
M16 x 2.0	12	30	40	98	44	46	31.8	0.5 kg.
M20 x 2.50	20	40	70	160	67	75	38.1	2.5 kg.
M24 x 3.0	20	40	70	160	67	75	38.1	2.5 kg.
M30 x 3.50	22	51	79	206	95	91	50	4.0 kg.
M36 x 4.0	22	51	79	206	95	91	54	4.0 kg.
M42 x 4.50	26	65	93	230.5	108	100.5	63	6.0 kg.
M48 x 5.0	26	65	93	230.5	108	100.5	68	6.0 kg.
M56 x 5.5	32	70	105	278	120	132	84	11.0 kg.
M64 x 6.0	32	70	105	278	120	132	95	11.0 kg.

Maximum Lifting Load (Safety Factor ≥ 5:1) P=Ton

Product	Vertical		Two Angled		Four Angled	
	0°	90°	0-45°	45-60°	0-45°	45-60°
M8 x 1.25	0.6	0.3	0.4	0.3	0.6	0.4
M10 x 1.50	0.9	0.45	0.6	0.45	0.9	0.6
M12 x 1.75	1.2	0.6	0.8	0.6	1.2	0.9
M16 x 2.0	2.6	1.3	1.8	1.3	2.7	1.9
M20 x 2.50	4	2	2.8	2	4.2	3
M24 x 3.0	7	3.5	4.9	3.5	7.3	5.2
M30 x 3.50	10	5	7	5	10.5	7.5
M36 x 4.0	15	8	11.2	8	16.8	12
M42 x 4.50	17	12	16.8	12	25.2	18
M48 x 5.0	18	13	18.2	13	27.3	19.5
M56 x 4.0	28	16	22.4	16	33.6	24
M64 x 6.0	28	16	22.4	16	33.6	24

Order: **G140. M**