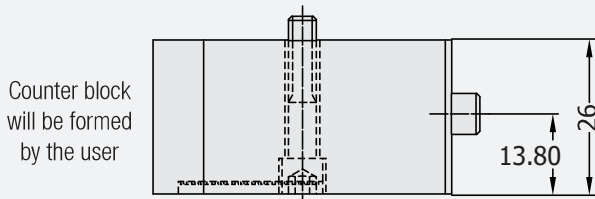
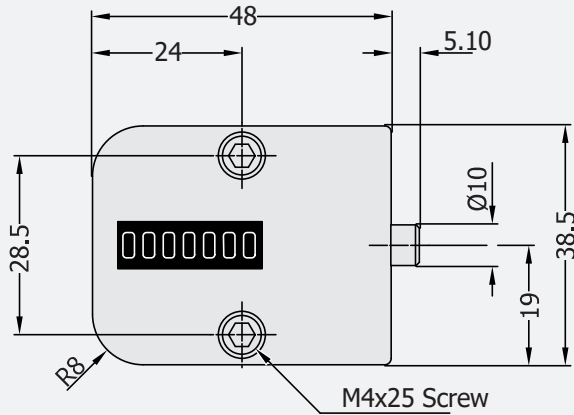


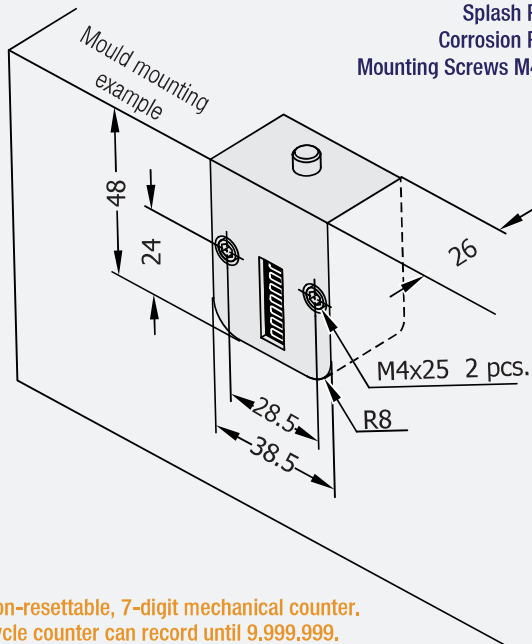
Cycle Counter
(Economic Type)

Code: **G124**



Counter block will be formed by the user

Max. Operation Temperature 120°C
Splash Proof
Corrosion Proof
Mounting Screws M4x25



* Non-resettable, 7-digit mechanical counter.
* Cycle counter can record until 9,999,999.

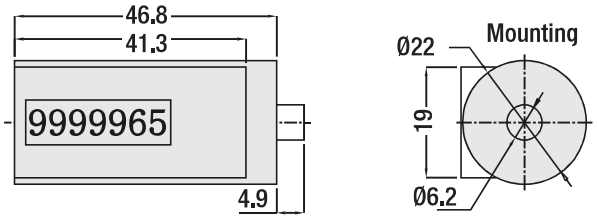


Order: **G124**
(Economic Type)

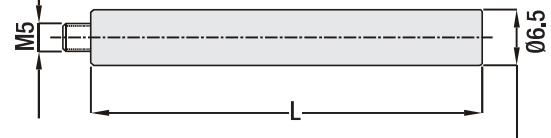


Cycle Counter - Round Type
(Economic Type)

Code: **G142**



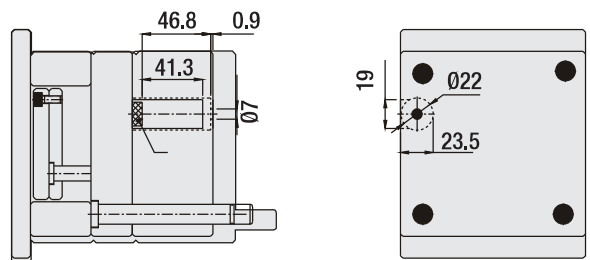
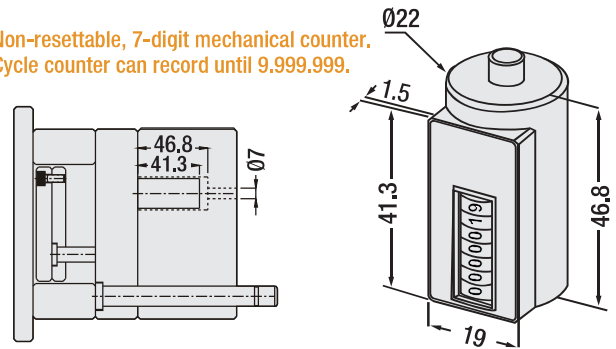
Actuator Extension Rod (processable in desired dimension)



Round Cycle Counter: Production counter / unite has round (cylindrical structure and can be mounted inside of support plate according to the following drawings (if your mould support / holder is in suitable position). In case your support / holder is high / long, additional operation can be provided with extension rod.

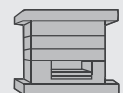
Processing Advantage: During mounting of round cycle counter to mould, only mounting slot is opened with drill (22,5 mm), (42 x 17) housing is generated. According to the standard model, it is provided mounting practicability at application. Maximum operation temperature is 120°C.

* Non-resettable, 7-digit mechanical counter.
* Cycle counter can record until 9,999,999.



Order: **G142**
(Economic Type)

Injection
Moulds



Page
109