

### Core Guide Pillar (Inclined & Threaded)

Code: G14

It is compatible to use at injection moulds, angled guide pillar positioning, core systems as cam pin. GTH mould pillars are polished with surface polishing machine at final stage of production (after grinding).

d	l	l1	l2	l3	d1	R	SW
8	40						
	50						
	63	10	10	8	M.5	4	7
	80						
	100						
10	50						
	63	12	10	9	M.6	5	8
	80						
	100						
12	50						
	63	12	12	9	M.6	6	10
	80						
	100						
	125						
16	63						
	80						
	100	15	15	12	M.8	8	13
	125						
	160						
20	200						
	250						
	63						
	80						
	100	20	16	15	M.10	10	16
	125						
25	160						
	200						
	250						
	80	20	20	15	M.12	12.5	21
	100						
30	125						
	160						
	200						
	250						
	100	25	25	18	M.16	15	27
32	125						
	160						

Order:  
**G14. d x l**

Material:  $\leq \varnothing 20 = 1.7131$   
 $> \varnothing 20 = 1.1213$  (Gf53)  
 Hardness: 58 - 62 HRC

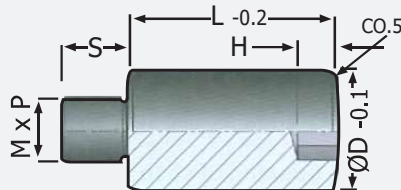


Please use  
"Hexwrench" for  
clamping screw.

Code: G150

### Stopping Pin for Core Slide Core Slide, Ejector Pin

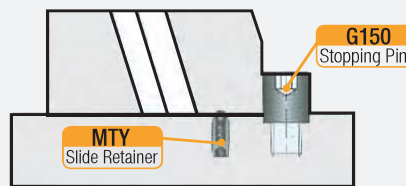
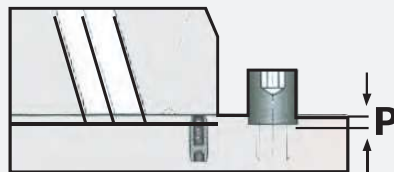
Stopping Pin is a product which is practical and easy to mount.



Code: G150

Order	M x P	SW
G150.M6	M6 x 1.0	5
G150.M10	M10 x 1.5	8
G150.M12	M12 x 1.75	10
G150.M16	M16 x 2.0	14

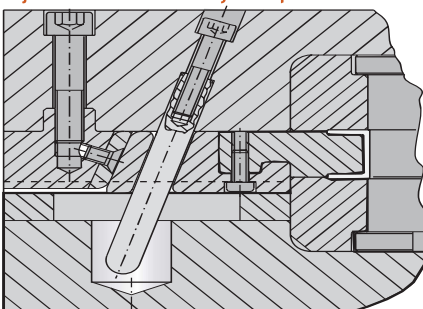
D	L	H	S	P
10	40	4	10	15
16	40	5	15	15
20	40	6	28	15
25	40	9	24	15



It can be used with  
G61 Angled Guide  
Bush (page-50)



#### Injection Mould Mounting Example

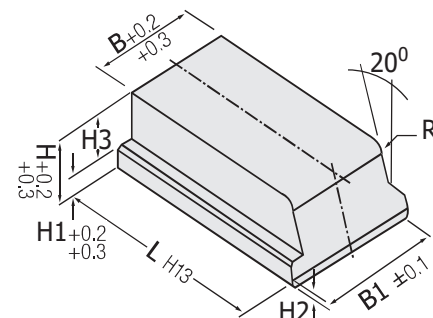


### Angular Core Slide

Code: G149

G149 ready for machining. The only thing to be done is to machine cavity surfaces.

Milled, precision ground and 20° inclined angular has been given to cavity surface. All edge corner are chamfered. Slide has been machined as T-Slot.



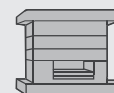
Mat.: 1.2344

Hardn.: 42 - 45 HRC

Code: G149

Order	H	L	B	B1	Ξ	H2	H3	R
G149.1220	12	40	20	26	4	1.5	8	1.5
G149.1225			25	31				
G149.1240			40	46				
G149.1263			63	69				
G149.1620	16	50	20	26	4	1.5	12	1.5
G149.1625			25	31				
G149.1640			40	46				
G149.1663			63	69				
G149.2040	20	63	40	46	5	2	15	2
G149.2063			63	69				
G149.2080			80	86				
G149.2540			40	46				
G149.2563	25	71	63	69	5	2	20	2
G149.2580			80	86				
G149.3263	32	100	63	71	6	3	26	3
G149.3280			80	88				
G149.32100			100	108				
G149.4063	40	100	63	71	6	3	34	3
G149.4080			80	88				
G149.40100			100	108				
G149.5080	50	112	80	90	8	4	42	4
G149.50100			100	110				
G149.50125			125	135				
G149.6380	63	112	80	90	8	4	55	4
G149.63100			100	110				
G149.63125			125	135				

Injection  
Moulds



Page  
**261**