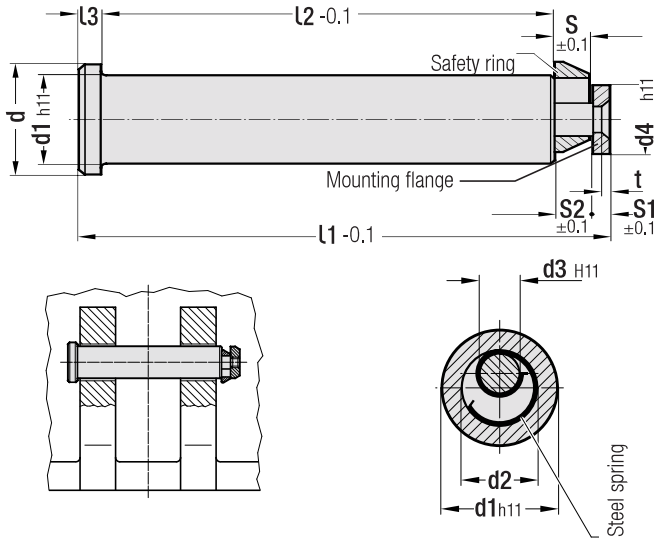




## Die Lifting Pin - CNOMO

Code: **G153**

CNOMO Norm EM24.50.4000 02/2014



Code: **G153**

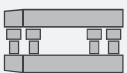
d1	d	d2	d3	d4	l1	l2	l3
32	40	22	12	25	154	132	6
40	50	28	16	32	197.75	170	8
50	63	36	20	40	247.6	212	10
63	80	45	25	50	309	265	12

Code: **G153**

d1	S	S1	S2	t	Max. Cap. 2 Pins
32	10	5	11	2.5	12000 Kg
40	12.5	6	13.75	3	18.000 Kg
50	16	8	17.6	4	28.000 Kg
63	20	10	22	5	45.000 Kg

Page

116

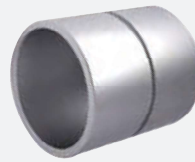


Dies



Order:  
**G153.d1**

## Bush for Lifting Pin Code: **G51.1**

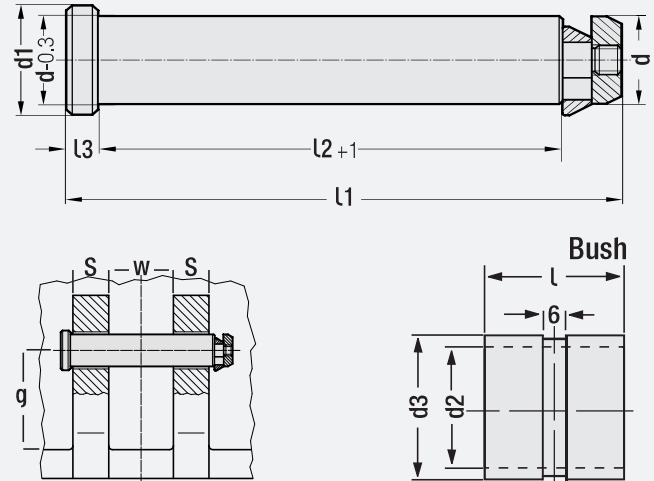


Code: **G51**



## Die Lifting Pin / WDX 22 - 60

FORD Norm WDX 22 - 60



Code: **G51**

Code: **G51.1**

d	d1	l1	l2	l3	S	w	g	d2	d3	l
35	45	165	124	10	30	50	60	37	45	30
50	63	230	189	10	50	70	65	52	60	50
63	76	320	279	10	80	100	70	65	75	80
80	89	370	319	15	100	100	80	82	90	100

## Lifting Pin Capacity

d	Max. Load	Max. Capacity
35	1500 Kg	3000 Kg
50	5000 Kg	10000 Kg
63	20000 Kg	40000 Kg
80	30000 Kg	60000 Kg

\* Due to safety reasons, die weight should not exceed maximum load that 2 lifting pins can bear (max. capacity). Max. load should be considered.  
\* Lifting equipment should be correctly mounted on workpieces on which they are used.  
\* Damaged - broken parts should not be used.



**G51.d** (Pin)  
**G51.1.d2** (Bush)

Material: 1.7131 (CK45)