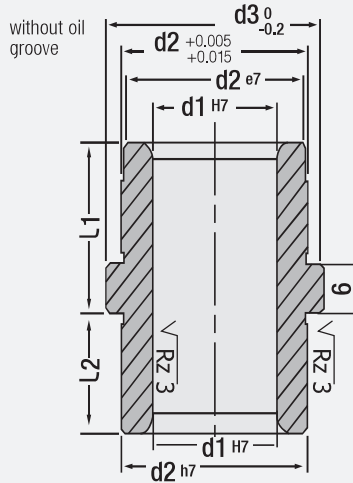




Guide Bush with Centre Collar

Code: **G32**

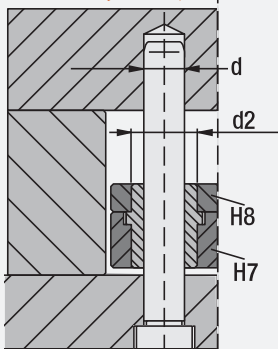


Code: **G32**

d1	L1	d2	d3	L2
12	16	16	19	12
14	16	20	25	12
16	16	24	28	12
18	16	26	31	12
20	16	28	32	12
24	21	34	38	16
25	21	34	38	16
30	21	39	43	16

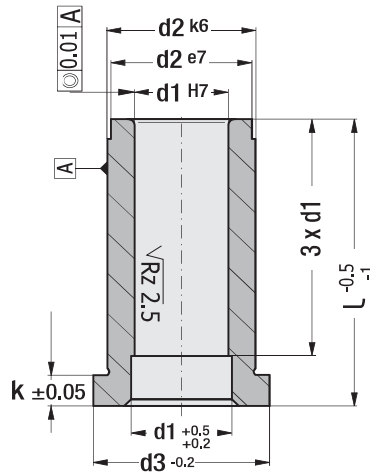
Mounting Example

Bushes ensuring the movements of ejector plates in injection moulds be rigid and precise.



Order: **G32**. d1 x L1

Material: 1.7131 (16MnCr5)
Hardness: 58 - 62 HRC



Code: **G30**

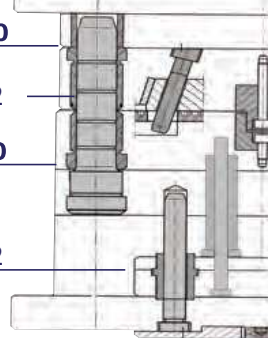
d1	L	d2	d3	k
12	26	16	19	4
	36			
	46			
	56			
14	66	20	25	6
	76			
	86			
	96			
	106			
	116			
	126			
16	136	24	28	6
	146			
	156			
	166			
	176			
	186			
	196			
18	206	26	31	6
	216			
	226			
	236			
	246			
	256			
	266			
20	276	28	32	6
	286			
	296			
	306			
	316			
	326			
	336			
25	346	34	38	8
	356			
	366			
	376			
	386			
	396			
	406			
30	416	39	43	10
	426			
	436			
	446			
	456			
	466			
	476			
40	486	54	58	10
	496			
	506			
	516			
	526			
	536			
	546			

G30

G12

G30

G32



for Turkish Mould Standard



Guide Bush - Headed

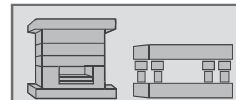
Code: **G30**

d1	L	d2	d3	k
12	26	16	19	4
	36			
	46			
	56			
14	66	20	25	6
	76			
	86			
	96			
	106			
	116			
	126			
16	136	24	28	6
	146			
	156			
	166			
	176			
	186			
	196			
18	206	26	31	6
	216			
	226			
	236			
	246			
	256			
	266			
20	276	28	32	6
	286			
	296			
	306			
	316			
	326			
	336			
25	346	34	38	8
	356			
	366			
	376			
	386			
	396			
	406			
30	416	39	43	10
	426			
	436			
	446			
	456			
	466			
	476			
40	486	54	58	10
	496			
	506			
	516			
	526			
	536			
	546			



Order: **G30**. d1 x L

Material: 1.7131 (16MnCr5)
Hardness: 58 - 62 HRC



Page

65