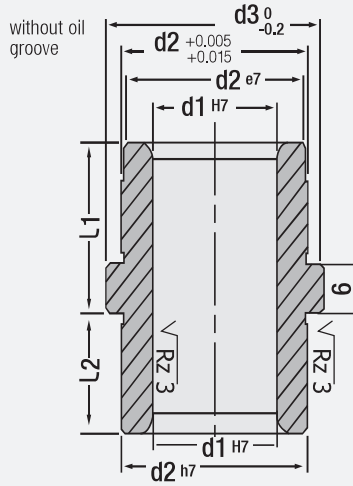




### Guide Bush with Centre Collar

Code: **G32**

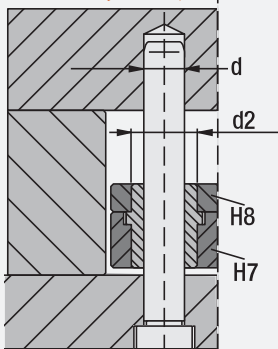


Code: **G32**

d1	L1	d2	d3	L2
12	16	16	19	12
14	16	20	25	12
16	16	24	28	12
18	16	26	31	12
20	16	28	32	12
24	21	34	38	16
25	21	34	38	16
30	21	39	43	16

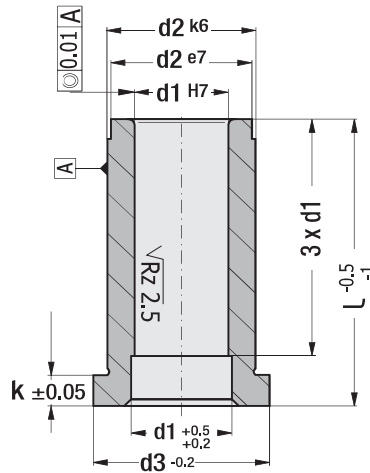
#### Mounting Example

Bushes ensuring the movements of ejector plates in injection moulds be rigid and precise.



Order: **G32**. d1 x L1

Material: 1.7131 (16MnCr5)  
Hardness: 58 - 62 HRC



Code: **G30**

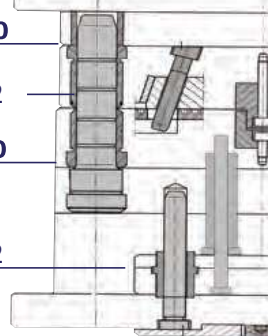
d1	L	d2	d3	k
12	26	16	19	4
	36			
	46			
	56			
14	66	20	25	6
	76			
	86			
	96			
	106			
	116			
16	126	24	28	6
	136			
	146			
	156			
	166			
	176			
18	186	26	31	6
	196			
	206			
	216			
	226			
	236			
20	246	28	32	6
	256			
	266			
	276			
	286			
	296			

**G30**

**G12**

**G30**

**G32**



for Turkish Mould Standard



### Guide Bush - Headed

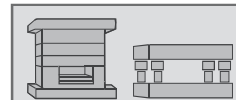
Code: **G30**

d1	L	d2	d3	k
12	26	16	19	4
	36			
	46			
	56			
14	66	20	25	6
	76			
	86			
	96			
	106			
	116			
16	126	24	28	6
	136			
	146			
	156			
	166			
	176			
18	186	26	31	6
	196			
	206			
	216			
	226			
	236			
20	246	28	32	6
	256			
	266			
	276			
	286			
	296			



Order: **G30**. d1 x L

Material: 1.7131 (16MnCr5)  
Hardness: 58 - 62 HRC



Page

65