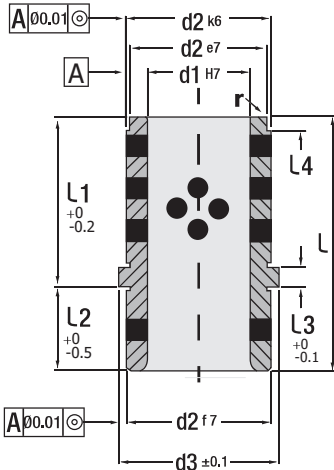




Code: **G26**

Guide Bush with Centre Collar, Self-Lubricating



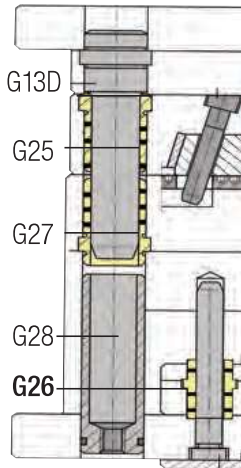
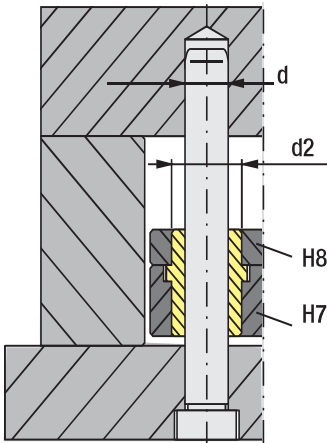
Especially, it can be used in pillar systems of the ejector plates in injection moulds with Guide Pillar without oil groove (G17). Guide bushes are self-lubricating systems.

Heat Resistance: 150° C. It can even work in humid environments.

Working Direction

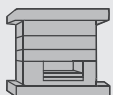


Mounting Example



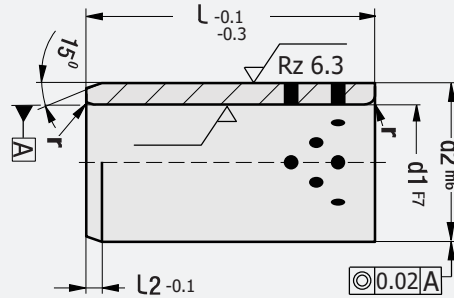
Code: **G26**

d1	L	d2	d3	L1	L2	L3	L4	r
14	26	20	25	17	9	6	2	1
16	26	20	25	17	9	6	2	1
20	39	26	31	22	17	6	2	1.5
22	49	30	35	27	22	6	4	1.5
25	49	30	35	27	22	6	2	2
30	63	42	47	36	27	6	2	5
40	63	50	60	36	27	8	6	4
50	92	63	72	55	37	8	6	4



Code: **G48**

Guide Bush - Plain, Self-Lubricating



G48 products used in hydraulic press and injection mould machines and especially on plain guide pillars in mould systems.



* Hole tolerance for shrink fit: H7

d1	l	d2	2	r	d1	l	d2	2	r	d1	l	d2	2	r	
8	8				24	20				48	30				
	10	12	2			25	33				40	60			
	15			0.50		30					50	60			
10	10				25	35	35	4	0.75	50	60	62	4	1.50	
	12	14	2	0.50		40					70				
	15					50					80				
	20										100				
	25														
12	10				30	20	38			60	40				
	12					30	40	4	0.75		50	74			
	15	18	2	0.50		35	40				60		4	2.00	
	20					40	45				80	75			
	25					50					100				
	30					60									
	35														
15	12				40	25	50			80	40				
	16					30					60				
	20					35	55				80	96			
	25	22	2	0.75		40					100	100	4	2.00	
	30					50					120				
	35					60					140				
16	12				45	25	60			100	40				
	16					30					60				
	20					35	55	4	1.50		80	96			
	25	22	2	0.75		40					100	100	4	2.00	
	30					50					120				
18	20	24			50	30				120	50				
	25					35	55				60	120			
	30	28	4	0.75		40					80	140			
	35					50	60	4	1.50		100	170	4	2.00	
	40	30				60					120				
20	20				60	30				150	140	180			
	25					40					160				
	30					50									

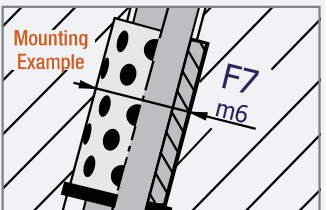


Lithium Grease

IMPORTANT!

Self-lub. bushes:
The friction surface should be lubricated once in order to activate permanent lubricating at the first use.

Order: 950200 (1 Lt.)



Order: **G48. d1 x d2 x l**