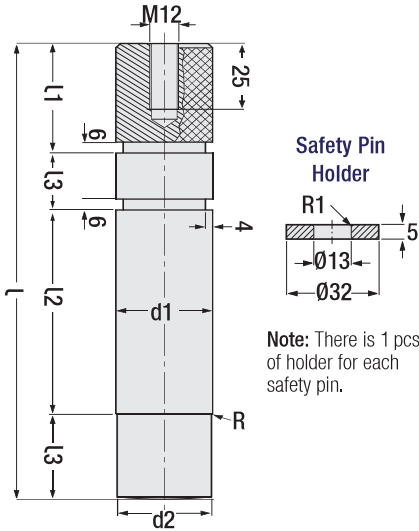




### Safety Pin - VDI

Reference: VDI 3365

Code: G57



Note: There is 1 pcs. of holder for each safety pin.

Code: G57

d1 e8	d2 +0.05	R	Load Capacity
32	29	4	500 Kg
32	29	4	500 Kg
40	37	5	750 Kg
40	37	5	750 Kg
50	47	6	1250 Kg
50	47	6	1250 Kg
63	60	6	2500 Kg
63	60	6	2500 Kg

d1 e8	l	l1	l2	l3
32	130	22	58	25
32	147	22	75	25
40	171	32	75	32
40	191	32	95	32
50	207	32	95	40
50	232	32	120	40
63	252	32	120	50
63	287	32	155	50

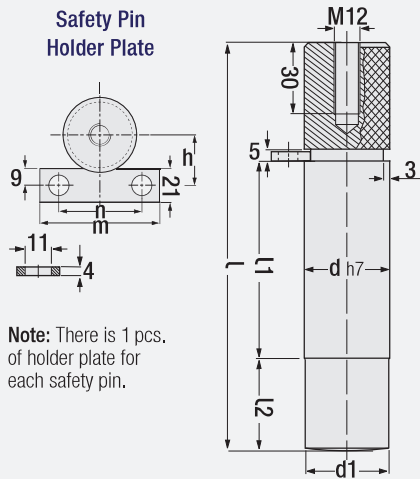
Order: G57. d1 x L  
Material: 1.7131 (C30)  
800 ÷ 1000 N / mm<sup>2</sup>



### Safety Pin - FCA

Reference: FCA 230.GSG.16

Code: G56



Note: There is 1 pcs. of holder plate for each safety pin.

Code: G56

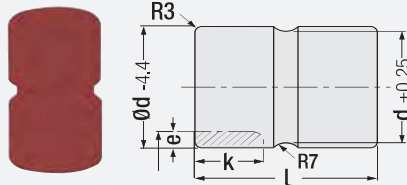
d	d1	h	m	n
30	29	22	50	35
40	39	27	65	45
50	49	32	70	50

d	l	l1	l2
30	155	87	33
40	193	109	39
50	229	131	43

Order: G56. d  
Material: 1.7131 (1.6511)

### Shock Absorber for Safety Pin

Code: G56.1



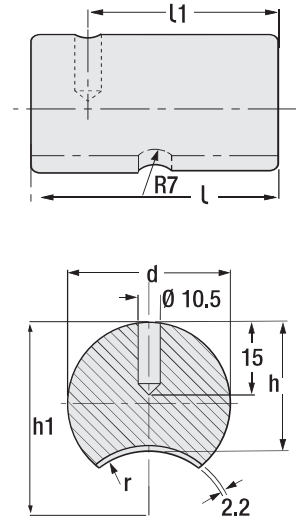
Pin Diameter	d	l	e	k	Max. Press.
40	50	70	8	25	%16
50	63	80	8	30	%12

Order: G56.1 x d  
Material: Polyurethane 90 Shore



Code: G57.2

### Shock Absorber for Safety Pin



Code: G57.2

d ± 0.25	h	h1	r
40	32	50	18
50	40	63	23
63	51	86	35

d ± 0.25	l	l1
40	60	45
50	80	60
63	80	60

\* It should be used with safety pins.  
G57.2 product is compatible with the product code G57.  
\* It is an impact and speed retarder product.  
\* Hardness of polyurethane material is 90 shore.  
\* All dimensions without tolerance are in EN 22 768-1 mm standards.

Order: G57.2 x d  
Material: Polyurethane 90 Shore