

Conical Head Punches - Stepped DIN 9861 Form C

Code: **HKZ**

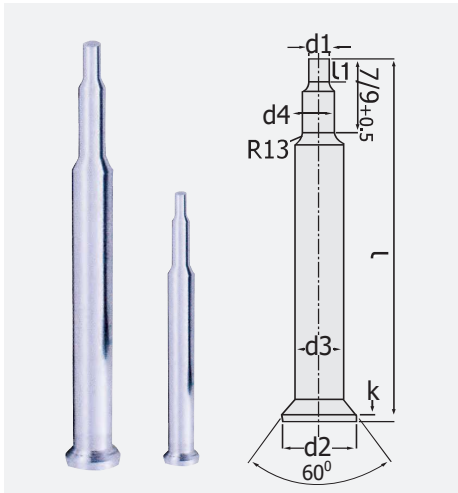
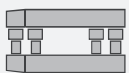
According to DIN 9861 norm, there is limitation for body and cutting diameter. In this norm, while body diameter for conical head stepped punch is max. 3 mm, cutting diameter can be max. 2.95 mm.

Material: 1.3343 (M2) Hardness: 62 - 64 HRC

d1	l	d3	d2	r			
0.8	71	2 mm	3 mm	0.4			
	80						
1.0	71						
	80						
1.2	71				2.5 mm	3 mm	0.4
	80						
1.5	71						
	80						
1.6	71						
	80						
1.8	71						
	80						
1.0	71	3 mm	4.5 mm	0.6			
	80						
1.5	71						
	80						
1.8	71						
	80						
2.2	71						
	80						
2.3	71						
	80						
2.6	71						
	80						
2.8	71						
	80						



Order: **HKZ. d3 x d1 x l**



Conical Head Punches - Stepped DIN 9861 Form E

Code: **H2K**

As per request, our punch production is available in the desired material and dimensions and also in shapes. It is preferred for thin work pieces and light duty works.

Material: 1.3343 (M2) Hardness: 62 - 64 HRC

d1	d4	d3	d2	l	l1			
1.0	1.4	Ø 3.0	4.5 mm	71	2 mm			
1.2	1.6							
1.5	1.8							
1.7	2.1							
2.2	2.6							
2.5	2.8							
1.6	2.2			Ø 4.0		5.5 mm	71	2.5 mm
1.8	2.3							
2.3	2.8							
2.6	3.0							
3.0	3.5							
3.2	3.7							
2.4	3.0	Ø 5.0	6.5 mm	71	3 mm			
2.8	3.5							
3.2	4.0							
3.6	4.2							
4.2	4.6							
4.5	4.8							
2.5	3.2			Ø 6.0		8 mm	71	3 mm
3.0	3.8							
3.5	4.2							
4.0	4.8							
4.5	5.3							
5.0	5.5							
5.5	5.8							

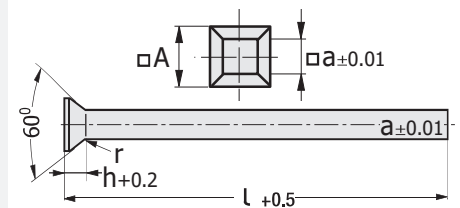


Order:
H2K. d1 x d4 x d3 x l x l1



Conical Head Punch, Slot - Shaped Slot - Form DA (Forged head)

Code: **HFK**



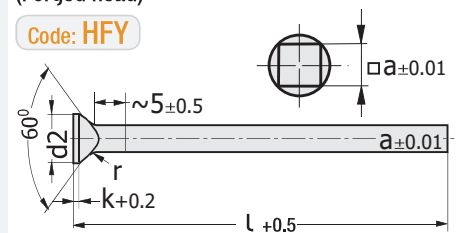
a	l	□A	h	a	l	□A	h
1.0	71	1.8	1.2	7.0	71	9.0	2.8
2.0		3.0	1.4	8.0		10.0	
3.0		4.5	1.8	9.0		11.0	
4.0		5.5	1.8	10.0		12.0	
5.0		6.5	1.8	12.0		14.0	
6.0		8.0	2.2				



Order: **HFK. a x l**

Conical Head Punches - Shaped (Forged head)

Code: **HFY**



a	l	d2	k	a	l	d2	k
1.0	71	1.8	0.5	7.0	71	10.5	1.0
2.0		3.0		8.0		12.0	
3.0		4.5		9.0		13.5	
4.0		6.0		10.0		15.0	
5.0		7.5		12.0		18.0	
6.0		9.0					

Excluding product types in tables, our production such as headless and different slot types, also punches as per request are available.



Order: **HFY. a x l**