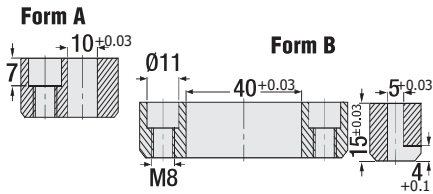


As per request:
Polyimide material

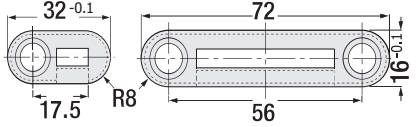
Stamp Retainer

Code: **ZTF**

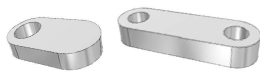
Reference: FORD / WDX20-70



Material: 1.2379 Hardness: 60 - 62 HRC



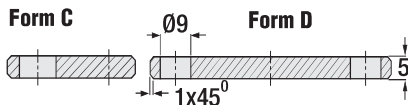
Order: **ZTF**. Form



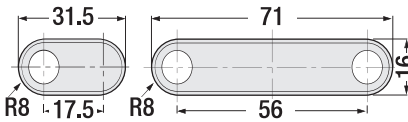
Code: **MD2**

Backing Plate for Stamp Retainer

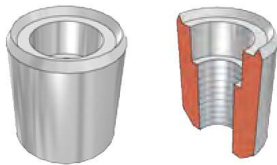
Reference: FORD / WDX20-70



Material: 1.0503 Hardness: 60 - 62 HRC



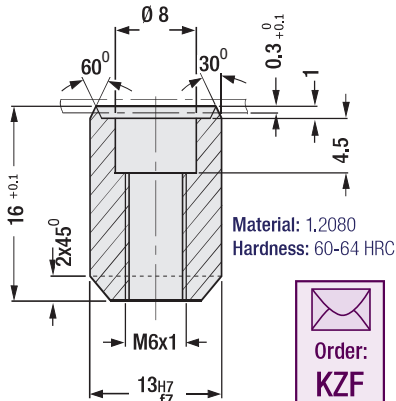
Order: **MD2**. Form



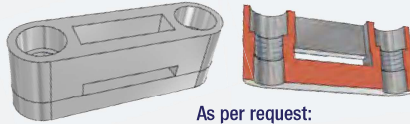
Locating Punch

Code: **KZF**

Reference: FORD / WDX20-70-0101



Order:
KZF

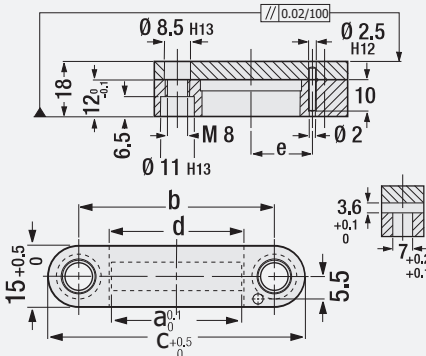


As per request:
Polyimide material

Stamp Retainer

Code: **ZTP**

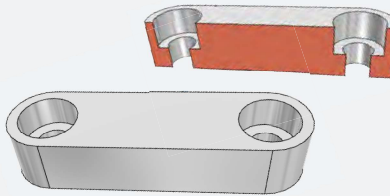
Reference: PSA E24.64.100.G



Part Pcs.	a	b	c	d	e
4	16	32	47	17	12
6	24	40	55	25	-
8	32	48	63	33	20
10	40	56	71	41	24



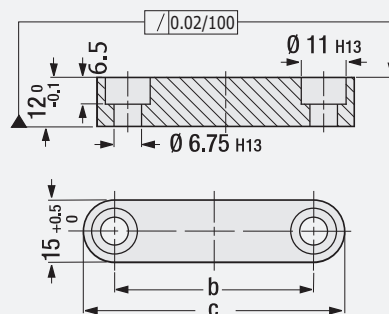
Order: **ZTP**. c



Backing Plate

Code: **ZDP**

Reference: PSA E24.64.100.G



Punch Pcs.	b	c
4	32	47
6	40	56
8	48	63
10	56	71



Order: **ZDP**. c

Die Spare Parts

Precision Machining / Custom-made



Die systems, sheet metal cutting / spinning - bending form dies, complicate dies and progressive dies. In addition, we produce your custom-made parts belonging to other die systems within technical drawing details, as precision heat treated and in desired materials with complete ground operations. Centering pins, compression and clutch plates, balancing blocks, backing and shim plates, special wedges, matrix holders, special guide shaft coupling nut, separator - holder and adjustor parts, conical centering components, special washers and inserts etc.

Dies



Page

177