

Matrix - Straight
DIN 9845 / Shape C

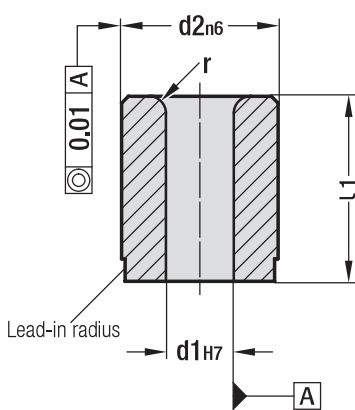
Code: **MZD**

Matrix - Headed
DIN 9845 / Shape B

Code: **MSZ**

Matrix - Straight
DIN 9845 / Shape A

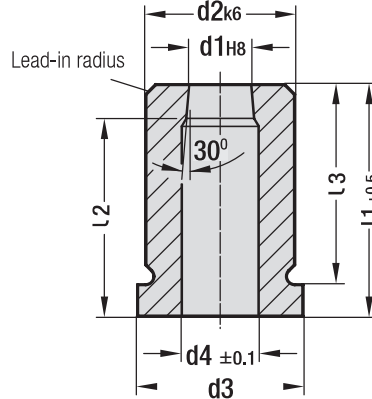
Code: **MDZ**



Specification:

Diameter d1, d2 and lead-in radius ground.

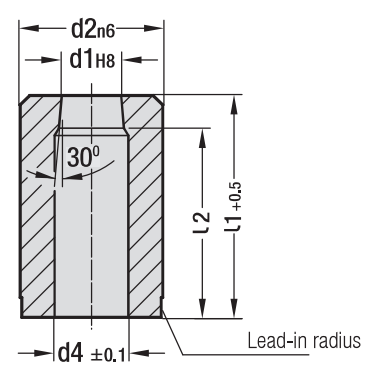
Material: 1.3343 (M2) **Hardness:** 60 - 62 HRC



Specification:

Diameter d1, d2 and lead-in radius ground.

Material: 1.3343 (M2) **Hardness:** 60 - 62 HRC



Specification:

Diameter d1, d2 and lead-in radius ground.

Material: 1.3343 (M2) **Hardness:** 60 - 62 HRC

Code: **MZD**

d1 H7	d1 Gradation	d2 n6	l1	r
1.0 ~ 2.4	0.1	5	8	1
1.6 ~ 3.0		6	12.5	1
2.0 ~ 3.5		8	12.5	1.5
3.0 ~ 5.0		10	16	2
4.0 ~ 7.2		13	16	2
6.0 ~ 8.8		16	20	2
7.5 ~ 11.3		20	20	2.5
11 ~ 16.6		25	25	2.5
15 ~ 20	0.5	32	25	4
18 ~ 27		40	32	4
26 ~ 36		50	40	4

Code: **MSZ**

d1 H8	d2 k6	d3	l2 l1=20	l3 l1=20	l2 l1=28	l3 l1=28
0.5 ~ 1.0	5	8	18	16	-	-
1.1 ~ 2.0	6	9	17	16	25	24
2.1 ~ 3.0	7	10	17	16	25	24
3.1 ~ 4.0	8	11	17	16	25	24
4.1 ~ 5.0	10	13	16	16	24	24
5.1 ~ 6.0	12	15	16	16	24	24
6.1 ~ 8.0	15	18	16	16	24	24
8.1 ~ 10	18	21	16	16	24	24
10.1 ~ 12	22	25	15	16	23	24
12.1 ~ 15	26	29	15	16	23	24
15.1 ~ 18	30	33	-	-	23	24

Code: **MDZ**

d1 H8	d2 n6	l2 l1=20	l2 l1=28
0.5 ~ 1.0	5	18	-
1.1 ~ 2.0	6	17	25
2.1 ~ 3.0	7	17	25
3.1 ~ 4.0	8	17	25
4.1 ~ 5.0	10	16	24
5.1 ~ 6.0	12	16	24
6.1 ~ 8.0	15	16	24
8.1 ~ 10.0	18	16	24
10.1 ~ 12.0	22	15	23
12.1 ~ 15.0	26	15	23
15.1 ~ 18.0	30	-	23



Order: **MZD**. d1 x d2 x l1



Order: **MSZ**. d1 x d2 x d3 x l2 x l3



Order: **MDZ**. d1 x d2 x l2

* Other external / internal diameters and lengths are produced as per order.

Dies



Page

187