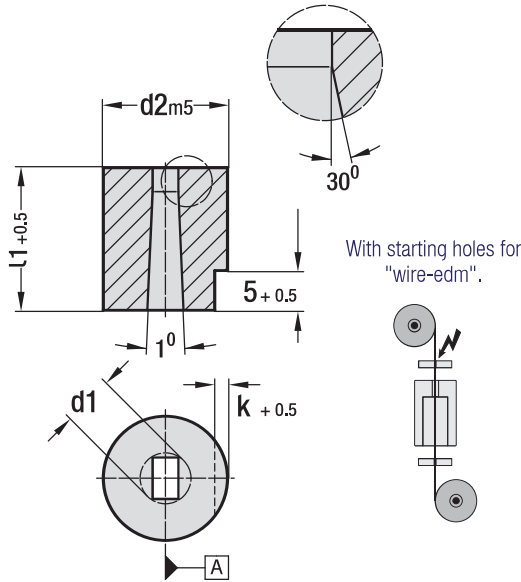




### Matrix, Straight - Tapered

Code: **MP..**



**Specification:** Diameter d1, d2 and lead-in radius ground.  
**Material:** 1.3343 (M2) **Hardness:** 60 - 62 HRC  
 \* d1: Size on corners "key flat" (F size) should be specified as per request.

Types: **MPY - MPO - MPK - MPD - MPA - MPM - MPX - MPP**



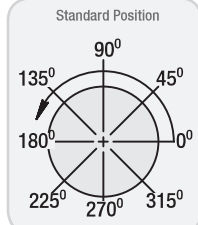
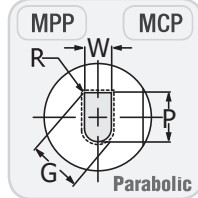
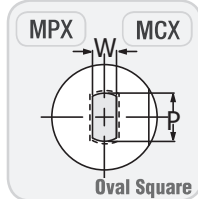
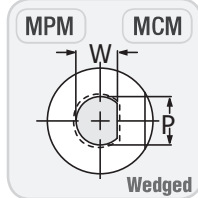
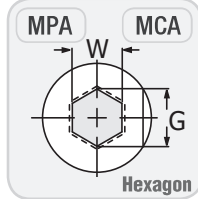
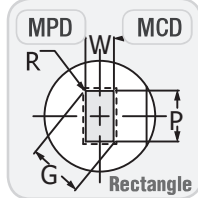
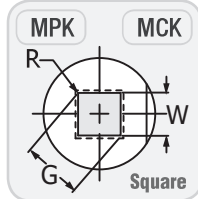
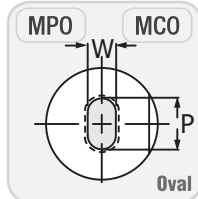
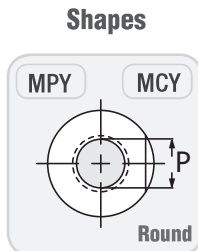
Order: **MP**(type), d1 x d2 x L1 x shape (P/W/R/G)

d1 = shape	d2	k	L1
1.6 ~ 3.2	8	1	16
2 ~ 5	10	1	19
3 ~ 7	13	1.5	22
5 ~ 8	16	1.5	25
7 ~ 11	20	1.5	28
11 ~ 16	25	2.5	32
16 ~ 19	32	2.5	Selection as per request
19 ~ 28	40	2.5	

### Information for positioning:

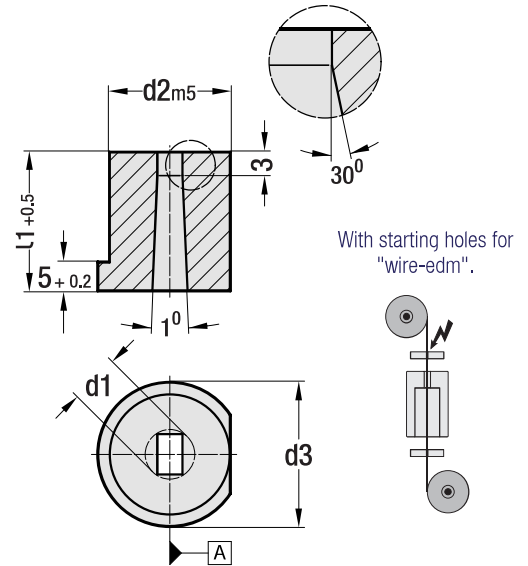
**Key flat matrixes:** "F" size used for "F1 - F2 - F3" has been specified in drawings on the left. "FX" size is defined by the user and while ordering, "key flat" dimension "F" and "U" should be specified.

Body Diameter	"F" +0.2	Body Diameter	"F" +0.2	Body Diameter	"F" +0.2
10	4.0	32	14	63	29.5
13	5.5	38	17	71	33.5
16	7.0	40	18	76	35.5
20	8.5	45	20.5	85	40
22	9.5	50	23	90	42.5
25	11	56	26	100	47.5



### Matrix, Headed - Tapered

Code: **MC..**



**Specification:** Diameter d1, d2 and lead-in radius ground.  
**Material:** 1.3343 (M2) **Hardness:** 60 - 62 HRC  
 \* d1: Size on corners "key flat" (F size) should be specified as per request.

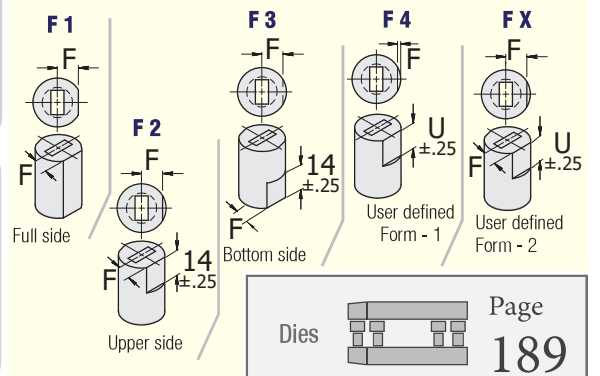
Types: **MCY - MCO - MCK - MCD - MCA - MCM - MCX - MCP**



Order: **MC**(type), d1 x d2 x d3 x L1 x shape (P/W/R/G)

d1 = shape	d2	d3	k	L1
1.6 ~ 3.2	8	11	1	16
2 ~ 5	10	13	1	19
3 ~ 7	13	16	1.5	22
5 ~ 8	16	19	1.5	25
7 ~ 11	20	23	1.5	28
11 ~ 16	25	28	2.5	32
16 ~ 19	32	35	2.5	Selection as per request
19 ~ 28	40	43	2.5	

### Positioning for "key flat" matrixes:



Dies



Page

189