

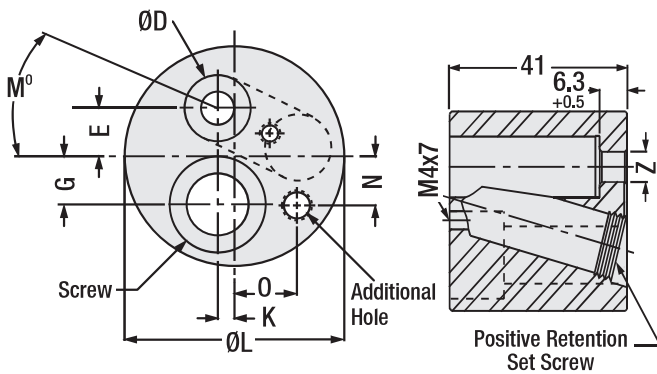


HEAVY DUTY

Ball Lock Punch Retainer - Round

Code: **MRR**

- Centre of pin holes are reference points for punch hole position.
- Shim and backing plate should be supplied separately.
- Economical: This type retainers are more economical than other ball lock retainers.



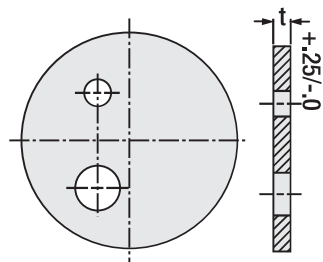
Round Type

Code: **MRR**

Order	MRR 10	MRR 13	MRR 16	MRR 20	MRR 25	MRR 32	MRR 40
D Punch	10	13	16	20	25	32	40
Ø L	38.1	41.3	44.5	57.2	63.5	76.2	82.6
E	9.86	9.25	9.10	12.20	12.51	15.67	15.39
G	7.10	9.17	11.07	14.30	17.50	20.83	23.55
K	2.65	3.18	1.93	-	-	-	-
M	20.5 ⁰	26 ⁰	33.5 ⁰	30 ⁰	30 ⁰	30 ⁰	30 ⁰
N	4.47	9.35	10.21	9.35	14.27	15.46	15.46
O	12.72	11.88	13.16	19.40	20.17	26.12	26.12
Z	6	6	6	6	6	6	6
Add. Hole	M6 x 1.0	M6 x 1.0	M6 x 1.0	M8 x 1.25	M8 x 1.25	M8 x 1.25	M8 x 1.25
Screw	M12	M12	M12	M16	M16	M20	M20

Shim Plate for Round Retainers (MRR)

Code: **MAY**



Order	"MAY" Code	t
	018	1.80
	030	3.00
	031	3.18
Order Example:	047	4.75
MRR.. / MAY.018	060	6.00
	063	6.35
	100	10
	130	13

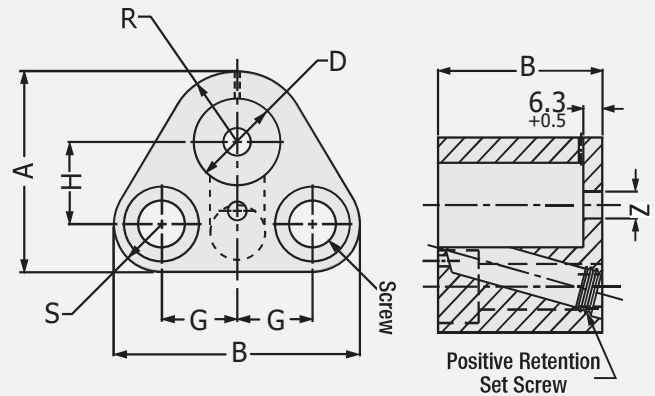


HEAVY DUTY

Ball Lock Punch Retainer - Mini

Code: **MRM**

- Centre of pin holes are reference points for punch hole position.
- Shim and backing plate should be supplied separately.
- Mini sized: This type of retainers are smaller than other retainers.



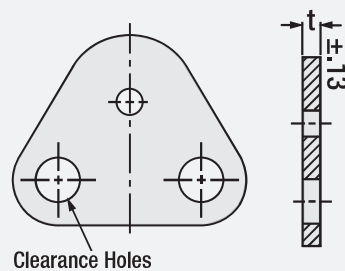
Mini Type

Code: **MRM**

Order	MRM 10	MRM 13	MRM 16	MRM 20	MRM 25	MRM 32	MRM 40
D Punch	10	13	16	20	25	32	40
A	37.8	40.3	42.1	46.5	56.5	58.2	67.3
B	40.6	47.6	50.8	57.1	65.1	64.0	76.2
G	11.1	14.3	15.9	17.5	19.8	19.8	24.0
H	19.0	19.0	19.0	19.0	23.8	23.8	27.0
R	9.5	11.7	13.5	16.4	20.0	22.2	26.0
S	9.2	9.5	9.5	11.1	12.7	12.2	14.3
Z	6	6	6	6	6	6	6
Screw	M8	M8	M8	M10	M12	M12	M12

Shim Plate for Mini Retainers (MRM)

Code: **MAM**



Order	"MAM" Code	t
	030	3.00
Order Example:	060	6.00
MRM.. / MAM.030	100	10
	130	13