

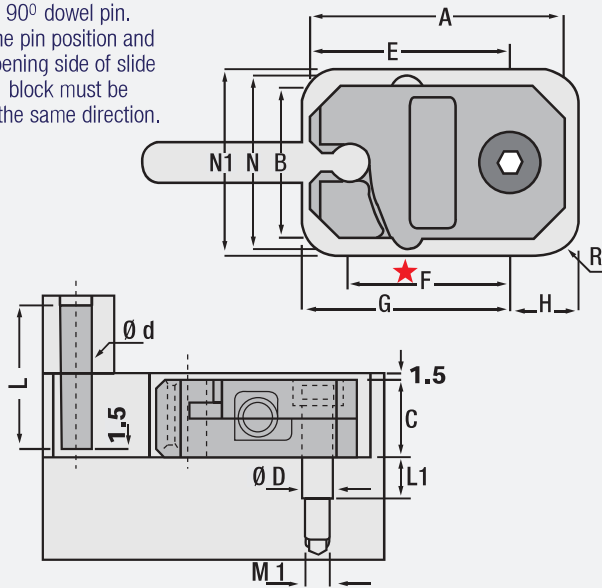
Slide Retainer - Pinned & Lock

Code: **MTB**

Precise, with lock, align, pin and spring

The body of "MTB" can be deadlocked with retainer screws, need some hole or cavity to limitless motions. This unit is for limitless motions.

It can be mounted with 90° dowel pin. The pin position and opening side of slide block must be in the same direction.



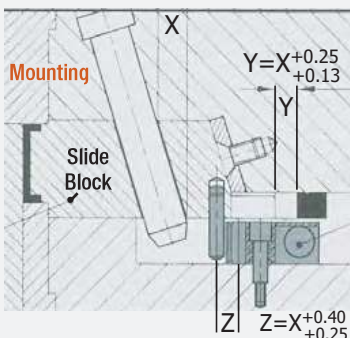
MTB can be used as "Latch Lock" mentality if there is no any special request on the system of the mould closing.

Code: **MTB**

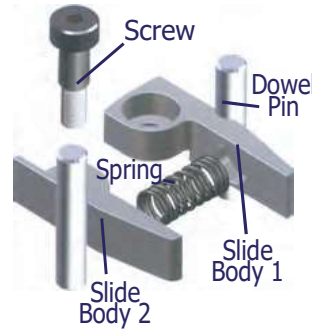
Order	A	B	C	E	★F	N	G	H
MTB.38	38	19	16	31.5	24.89	24	34.5	10
MTB.54	54	32	20	43	34.93	36.5	46	14.5
MTB.86	86	45	30	67	53.98	49.5	70	22.5

N1	R	D	L1	M1	d / L	Max. Slide Weight (kgf)
25.5	8	6	8.5	M5X11	6x30	10
38	10	8	10.5	M6X14	8x40	20
51	12	10	17	M8X18	10x60	40

Practice: When slide / core is opened, pin gets into the retainer. "MTB" designed with over-travel, to avoid the damage by the wrong settle of the travel. Operation continues even though there are mistakes (misalignments).



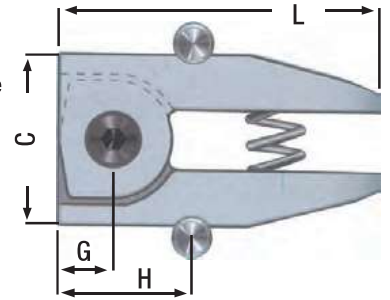
★ = Dimension is important.
Important: The distance from the center of the dowel pin to the center of the shoulder screw is crucial / critical. The dowel pin installed in the slide positively locks into the retainer until disengaged by the mould closing motion. Designed with a efficient lead-in at the housing opening so the dowel pin will lead-in the housing even if there is a slight misalignment between the retainer and the pin.



Slide Retainer with Latch

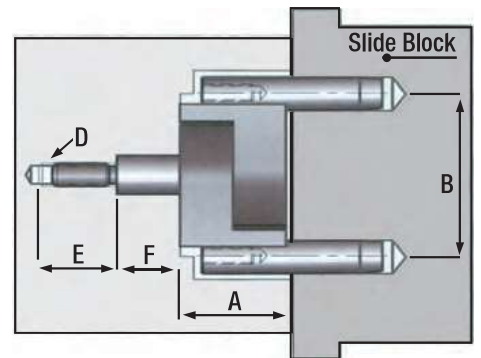
Code: **MTM**

Screw (F) added to hole should not be in too deep. After slide body locks itself, it should be operated smoothly. Therefore, don't tight the screw too much. When dowel pin is on core / slide, the body is fixed on mould, also core sliding distance should be calculated precisely and then should be mounted.



Max. temp.: 100°

Especially, it can be preferred in alloy material moulds.



Code: **MTM**

Order	A	B	C	E	F
MTM.1040	10	21.5	18	9.5	5.1
MTM.1243	12	25.5	22	11	6.1
MTM.1650	16	31.5	28	11	8.1

G	H	L	D	Max. Retaining	Dowel Pin
7	17.5	40	M5	Ø 6 - 30	10
7.5	18	43	M6		15
9.5	20.5	50	M6		25

