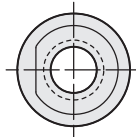
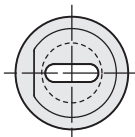


Code: **MTJ**



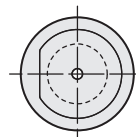
ROUND
for stepped
round type
punches

Code: **MTK**

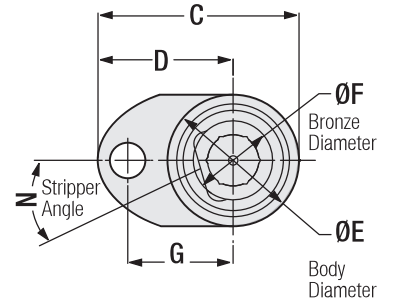


SHAPE
for stepped
form / shape
type punches

Code: **MTL**



BLANK
for standard
blank punches
and light duty
ball lock

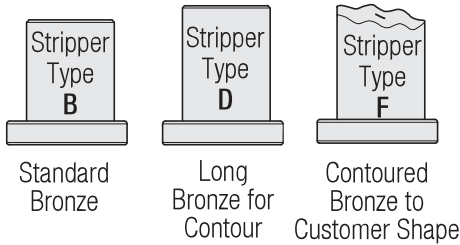


Ball Lock Stripper Retainer **HEAVY DUTY**

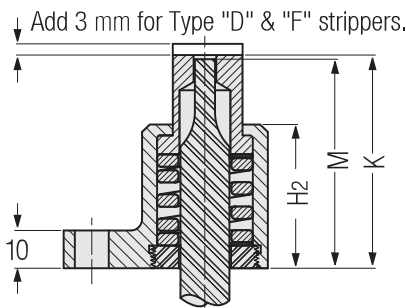
If retainer and punch are required, please purchase as additional line items at time of order.

Note: Only available in 90 mm & 100 mm punch lengths.

Stripper Types:

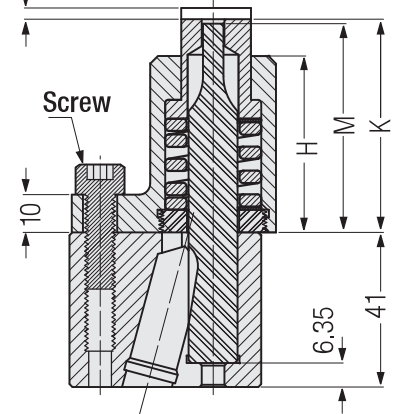


Long Reach / Compact Unit



Standard Unit

Add 3 mm for Type "D" & "F" strippers.



Order	C	D	E	F	G	H	H2	K	M	Stroke	Long Reach / Compact Max. Stroke	Screw	HEX Tool Length
MTL13 - 80/S	46.1	29.4	33.3	20	23.9	37.74	-	46.46	45.35	6.5	-	M6x25	1/2"
MTL13 - 90/S	46.1	29.4	33.3	20	23.9	46.74	37.74	56.46	55.35	6.5	6.5	M6x25	1/2"
MTL13 - 100/S	46.1	29.4	33.3	20	23.9	54.52	37.74	66.46	65.36	8.5	6.5	M6x25	1/2"
MTL16 - 80/S	50	30	40	27	24.5	37.74	-	46.85	45.35	7.9	-	M6x25	5/8"
MTL16 - 90/S	50	30	40	27	24.5	46.74	37.74	56.85	55.35	7.9	7.9	M6x25	5/8"
MTL16 - 100/S	50	30	40	27	24.5	54.52	37.74	67.95	65.36	9.5	7.9	M6x25	5/8"
MTL20 - 80/S	59	36	46.1	33	29	37.74	-	46.85	45.35	7.3	-	M8x25	3/4"
MTL20 - 90/S	59	36	46.1	33	29	46.74	37.74	56.85	55.35	7.3	7.3	M8x25	3/4"
MTL20 - 100/S	59	36	46.1	33	29	54.52	37.74	66.86	65.36	8.1	7.3	M8x25	3/4"
MTL25 - 80/S	68.3	40.5	55.6	42.5	33.5	37.74	-	46.85	45.35	8.5	-	M8x25	24 mm
MTL25 - 90/S	68.3	40.5	55.6	42.5	33.5	46.74	37.74	56.85	55.35	8.5	8.5	M8x25	24 mm
MTL25 - 100/S	68.3	40.5	55.6	42.5	33.5	54.52	37.74	66.86	65.36	9.3	8.5	M8x25	24 mm
MTL32 - 80/S	79.4	47.6	63.5	50.6	40.6	37.74	-	46.85	45.35	7.7	-	M8x25	1 - 1/4"
MTL32 - 90/S	79.4	47.6	63.5	50.6	40.6	46.74	37.74	56.85	55.35	7.7	7.7	M8x25	1 - 1/4"
MTL32 - 100/S	79.4	47.6	63.5	50.6	40.6	54.52	37.74	66.86	65.36	7.7	7.7	M8x25	1 - 1/4"
MTL40 - 80/S	87.2	51	72.5	59.7	44	37.74	-	46.85	45.35	7.6	-	M8x25	1 - 1/2"
MTL40 - 90/S	87.2	51	72.5	59.7	44	46.74	37.74	56.85	55.35	7.6	7.6	M8x25	1 - 1/2"
MTL40 - 100/S	87.2	51	72.5	59.7	44	54.52	37.74	66.86	65.36	7.6	7.6	M8x25	1 - 1/2"

Size	Punch			Punch Body Diameter	Punch Length			Punch Stripper			Long Reach
	Metric	Shoulder Style			80	90	100	B	D	F	
M		Round	Shape	Blank							LR
	J	K	L								

Specify dimensions of ends of punches to be used in "MT retainers" during ordering.

MTL 10 - 80 / SB / LR