

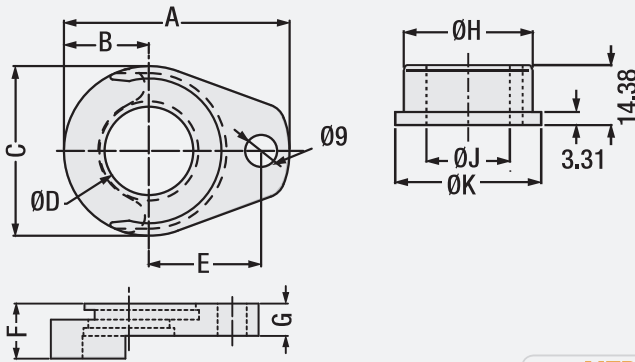
HEAVY DUTY

Larger Ball Lock Stripper Retainer

Code: **MTB**

It is used with "GBRT" heavy duty ball lock retainers

Innovative and integral designed, patented cost savings. Retaining feature at once. Exchangeable and compatible with NAAMS standards. Precision machined to assure perpendicularity resulting in prolonged urethane life.

Code: **MTB**

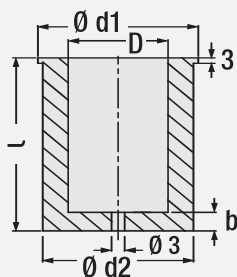
Order	MTB	MTB	MTB	MTB	MTB	MTB
Body P/G	Ø 10	Ø 13	Ø 16	Ø 20	Ø 25	Ø 32
A	53.18	58.60	63.75	73.86	83.63	83.63
B	18	20.5	24	31	36	36
C	36	41	48	62	72	72
D	16	20	25	32	40	40
E	26.93	29.97	31.75	33.53	40.64	40.64
F	17	17	17	17	17	18
G	10	10	10	10	10	10
H (Spring)	15.75	19.75	24.75	31.70	39.70	39.70
J (Punch)	10	13	16	20	25	32
K	19	23	28	34	44	44
Urethane	MTS 16	MTS 20	MTS 25	MTS 32	MTS 40	MTS 40
	Ur.Length	Ur.Length	Ur.Length	Ur.Length	Ur.Length	Ur.Length



Urethane Stripper for "MTB" Stripper Retainer

Code: **MTS**

Exchangeable and compatible with NAAM standards.
Material: Polyurethane / 95 Shore-A



Order	Punch Length	Punch	l	D	d1	d2	b
MTS 10	80	10	43	15.75	31	28	6
	100		63				
MTS 13	80	13	43	19.75	36	33	7
	100		63				
MTS 16	80	16	43	24.75	43	40	7
	100		63				
MTS 20	80	20	43	31.75	55	50	7
	100		63				
MTS 25	80	25	43	39.75	65	60	8
	100		63				
MTB 32	80	32	43	39.75	65	60	8
	100		63				

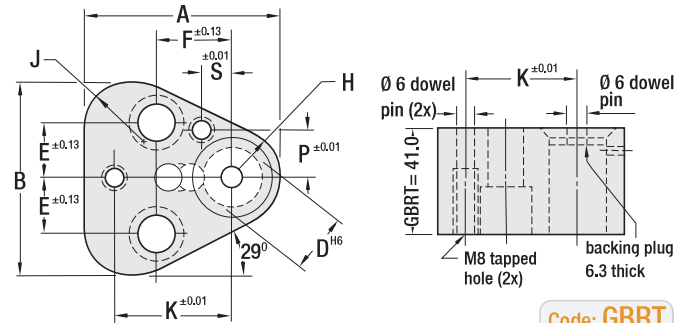
HEAVY DUTY

Ball Lock Punch Retainer - Heavy Duty

Code: **GBRT**

- Centre of pin holes are reference points for punch hole position.
- Shim and backing plate should be supplied separately.
- Shaped punches use the secondary dowel for precise alignment; round punches need only one.
- The precision-ground ball hole assures perfect alignment of any punch shape – even if you replace the retainer.
- Retainer includes; 2 dowel pins + 2 screws + 1 ball + 1 spring + 1 ball release screw.

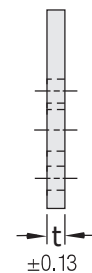
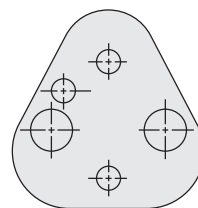
* GBRT retainer is compatible to "NAAMS" standard for ball lock punch retainer.

Code: **GBRT**

Order	GBRT. 10	GBRT. 13	GBRT. 16	GBRT. 20	GBRT. 25	GBRT. 32
D (punch)	10	13	16	20	25	32
A	44.5	50.8	54.0	60.3	69.9	69.9
B	43.7	50.0	53.2	59.5	69.1	69.1
E	11.1	14.3	15.9	17.5	19.8	19.8
F	19.0	19.0	19.0	19.0	23.8	23.8
H	9.5	12.7	14.3	17.5	22.2	22.2
J	12.0	15.2	16.8	20.0	24.7	24.7
K	26.925	29.970	31.750	33.530	40.640	40.640
P	9.0	12.0	13.5	16.5	22.0	22.0
S	7.5	6.5	6.0	5.0	7.0	7.0
Screw	M8	M8	M8	M10	M12	M12

Shim & Backing Plate for Punch Retainer

Please check "page 184" for shim and backing plates.



Shim Plate t = 1.8 (soft)

Code: **PRSP**

Backing Plate t = 4.8 (55 HRC)

Code: **PRBP**

Dies



Page

199