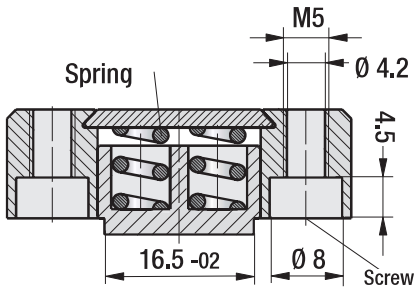
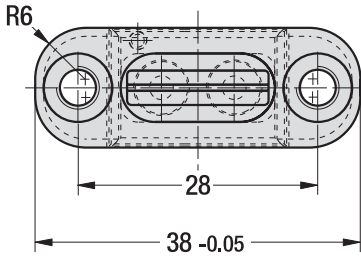
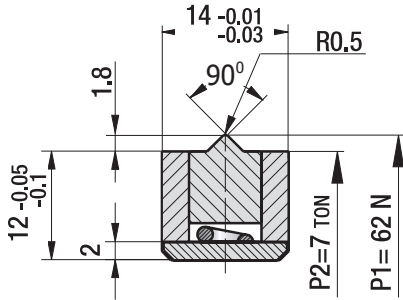




Slide Retainer

Code: **MTK.1**

Contact linkage line in core / slide systems



Maximum temperature: 100°C
Material: 1.2343 Hardness: 54 ± 2 HRC

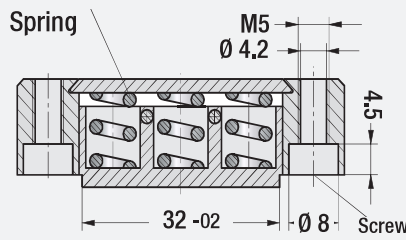
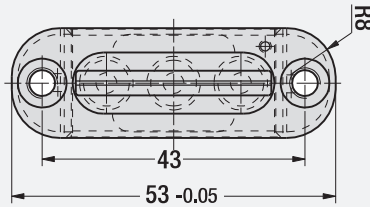
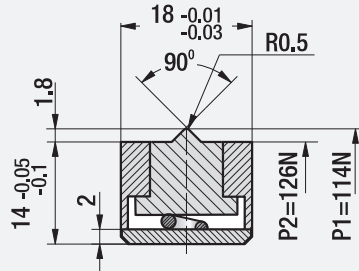
Order: **MTK.1**



Slide Retainer

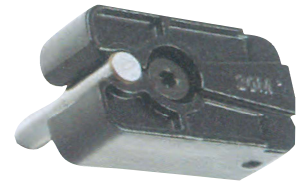
Code: **MTK.2**

It lifts the core / slide without the holder in slide system, self-contained unit



Maximum temperature: 100°C
Material: 1.2343 Hardness: 54 ± 2 HRC

Order: **MTK.2**

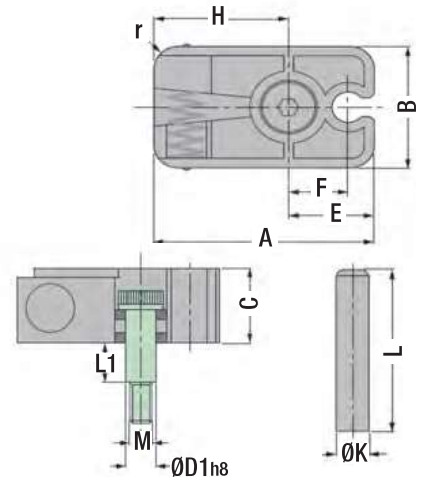


Code: **MTS..M**

Slide Retainer Pinned & Lock

Precise, with lock, align and pin

The body of MTS..M can not be deadlock with retainer screws, need some hole or cavity to limitless motions. This unit is for limitless motions.



Order	A	B	C	E	F	H
MTS.10M	38	19	16	16	9.1	22
MTS.20M	54	32	20	21	12.7	33
MTS.40M	86	45	30	33	20.3	53

K	D1	L	L1	r	M	Max. Slide Weight (kgf)
6	6	30	6	5	M5	10
8	8	40	8	6	M6	20
10	10	60	10	10	M8	40

"Kgf." value: It is max. load value required to emerge slide / core block from slide retainer.

When slide / core is opened, pin gets into the retainer. "MTS..M" designed with over-travel, to avoid the damage by the wrong settle of the travel. Operation continues even though there are mistakes (misalignments).

Mounting Procedure:

1. To remove Slide Retainer body from housing again, a dowel pin (extractor) hole should be opened on mould.
2. The distance between pin centre on the Slide Retainer and screw centre on Slide Retainer during mounting are precise (F), it should be calculated and adjusted well (must be in the same direction).
3. Please prefer a model with more force than the ultimate load requires for MTS..M / MBT that is suitable for your mould, this is important for safety.

