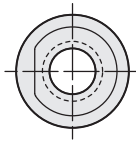
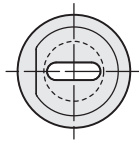


Code: **MTX**



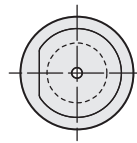
ROUND
for stepped
round type
punches

Code: **MTW**

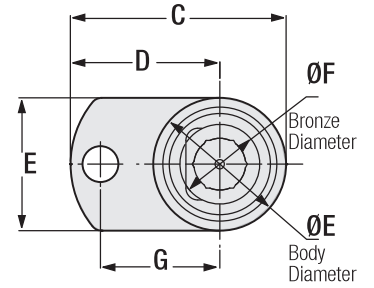


SHAPE
for stepped
form / shape
type punches

Code: **MTV**



BLANK
for standard
blank punches
and light duty
ball lock

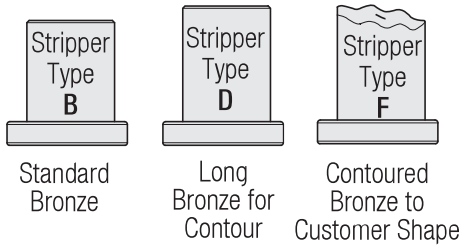


Ball Lock Stripper Retainer **LIGHT DUTY**

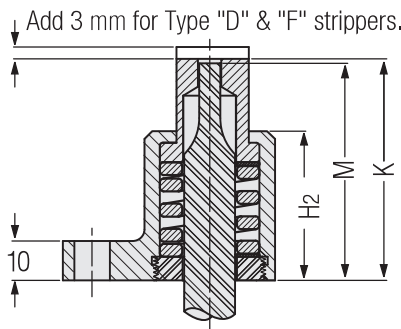
If retainer and punch are required, please purchase as additional line items at time of order.

Note: Only available in 80 mm & 90 mm punch lengths.

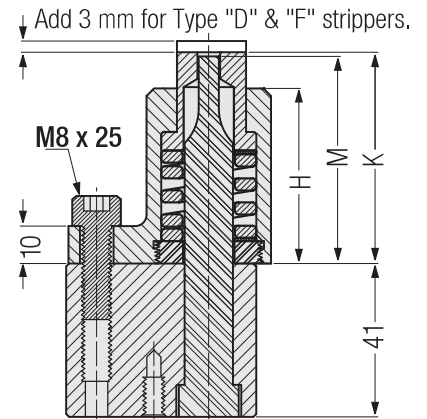
Stripper Types:



Long Reach / Compact Unit



Standard Unit



Order	C	D	E	F	G	H	H2	K	M	Stroke	Long Reach / Compact Max. Stroke	HEX Tool Length
MTV13 - 71/S	54.1	37.5	33.3	20	30	37.74	-	46.5	46	6.5	-	1/2"
MTV13 - 80/S	54.1	37.5	33.3	20	30	46.74	37.74	55.5	55	6.5	6.5	1/2"
MTV13 - 90/S	54.1	37.5	33.3	20	30	54.52	37.74	65.5	65	8.5	6.5	1/2"
MTV16 - 71/S	58.7	38.7	40	27	31.8	37.74	-	46.5	46	7.9	-	5/8"
MTV16 - 80/S	58.7	38.7	40	27	31.8	46.74	37.74	55.5	55	7.9	7.9	5/8"
MTV16 - 90/S	58.7	38.7	40	27	31.8	54.52	37.74	65.5	65	9.5	7.9	5/8"
MTV20 - 71/S	65.4	42.4	46.1	33	33.5	37.74	-	46.5	46	7.3	-	3/4"
MTV20 - 80/S	65.4	42.4	46.1	33	33.5	46.74	37.74	55.5	55	7.3	7.3	3/4"
MTV20 - 90/S	65.4	42.4	46.1	33	33.5	54.52	37.74	65.5	65	8.1	7.3	3/4"
MTV25 - 71/S	74.9	47.1	55.6	42.5	40.6	37.74	-	46.5	46	8.5	-	24 mm
MTV25 - 80/S	74.9	47.1	55.6	42.5	40.6	46.74	37.74	55.5	55	8.5	8.5	24 mm
MTV25 - 90/S	74.9	47.1	55.6	42.5	40.6	54.52	37.74	65.5	65	9.3	8.5	24 mm
MTV32 - 71/S	78.9	47.1	63.5	50.6	40.6	37.74	-	46.5	46	7.7	-	1 - 1/4"
MTV32 - 80/S	78.9	47.1	63.5	50.6	40.6	46.74	37.74	55.5	55	7.7	7.7	1 - 1/4"
MTV32 - 90/S	78.9	47.1	63.5	50.6	40.6	54.52	37.74	65.5	65	7.7	7.7	1 - 1/4"

Specify dimensions of ends of punches to be used in "MT retainers" during ordering.

Size Metric M	Punch Shoulder Style			Punch Body Diameter	Punch Length			Punch Stripper			Long Reach LR
	Round	Shape	Blank		71	80	90	B	D	F	
	X	W	V								

MTV 10 - 71 / SB / LR

Order Example