

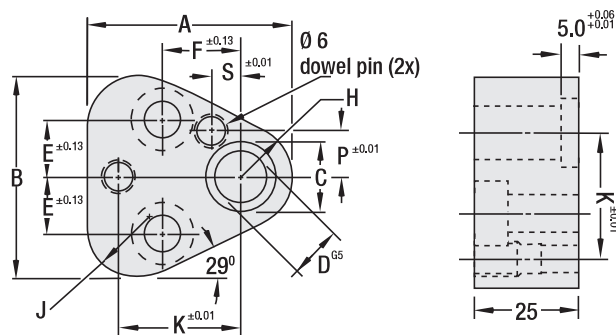


## Punch Retainer

Code: **GPR**

For round punches / ISO 8020

- Centre of pin holes are reference points for punch hole position.
- Shim and backing plate should be supplied separately.
- Retainer includes 2 dowel pins + 2 screws.



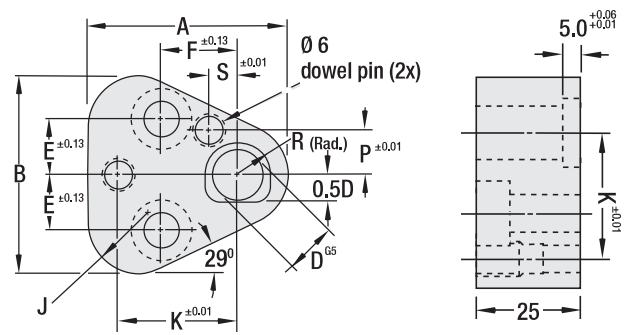
Code: **GPR**

## Punch Retainer

Code: **GPRS**

For shaped punches / ISO 8020

- Centre of pin holes are reference points for punch hole position.
- Shim and backing plate should be supplied separately.
- Retainer includes 2 dowel pins + 2 screws.

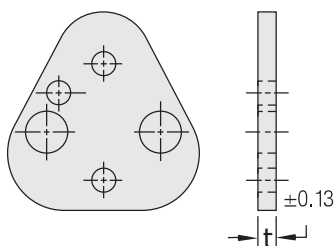


Code: **GPRS**

Order	GPR. 10	GPR. 13	GPR. 16	GPR. 20	GPR. 25	GPR. 32
D (punch)	10	13	16	20	25	32
A	44.5	50.8	54.0	60.3	69.9	69.9
B	43.7	50.0	53.2	59.5	69.1	69.1
C	14.0	17.0	20.0	24.0	29.0	36.0
E	11.1	14.3	15.9	17.5	19.8	19.8
F	19.0	19.0	19.0	19.0	23.8	23.8
H	9.5	12.7	14.3	17.5	22.2	22.2
J	12.0	15.2	16.8	20.0	24.7	24.7
K	26.925	29.970	31.750	33.530	40.640	40.640
P	9.0	12.0	13.5	16.5	22.0	22.0
S	7.5	6.5	6.0	5.0	7.0	7.0
Screw	M8	M8	M8	M10	M12	M12

Order	GPRS. 10	GPRS. 13	GPRS. 16	GPRS. 20	GPRS. 25	GPRS. 32
D (punch)	10	13	16	20	25	32
A	44.5	50.8	54.0	60.3	69.9	69.9
B	43.7	50.0	53.2	59.5	69.1	69.1
E	11.1	14.3	15.9	17.5	19.8	19.8
F	19.0	19.0	19.0	19.0	23.8	23.8
R	7.0	8.5	10.0	12.0	14.5	18.0
H	9.5	12.7	14.3	17.5	22.2	22.2
J	12.0	15.2	16.8	20.0	24.7	24.7
K	26.925	29.970	31.750	33.530	40.640	40.640
P	9.0	12.0	13.5	16.5	22.0	22.0
S	7.5	6.5	6.0	5.0	7.0	7.0
Screw	M8	M8	M8	M10	M12	M12

## Shim & Backing Plate for Punch Retainer



Shim Plate  
t = 1.8 (soft)

Code: **PRSP**

Order Code	Compatible Retainer	D	t
PRSP.1018	GPR / GPRS	10	1.8
PRSP.1318	GPR / GPRS	13	1.8
PRSP.1618	GPR / GPRS	16	1.8
PRSP.2018	GPR / GPRS	20	1.8
PRSP.2518	GPR / GPRS	25	1.8
PRSP.3218	GPR / GPRS	32	1.8

Backing Plate  
t = 4.8 (55 HRC)

Code: **PRBP**

Order Code	Compatible Retainer	D	t
PRBP.1048	GPR / GPRS	10	4.8
PRBP.1348	GPR / GPRS	13	4.8
PRBP.1648	GPR / GPRS	16	4.8
PRBP.2048	GPR / GPRS	20	4.8
PRBP.2548	GPR / GPRS	25	4.8
PRBP.3248	GPR / GPRS	32	4.8

