

Bottle-neck Punch

Code: **UBZ**

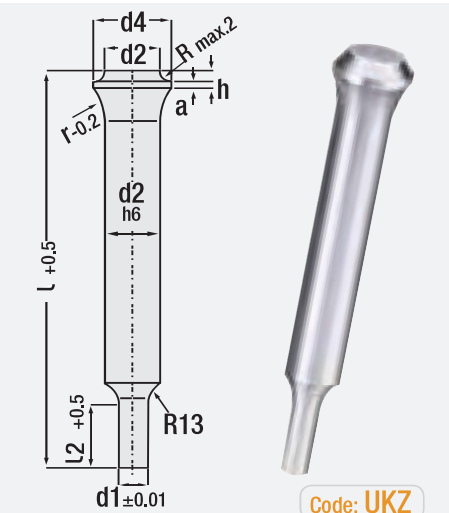
(Trambone type, form D) (Blank type)

Material: 1.3343 (M2) Hardness: 62 - 64 HRC

d1	l	d2	r	h	a	
2.0	71	3.0	3.5	3	1	
2.1 ~ 2.2		3.2	5			
2.3 ~ 2.5		3.5				
2.6 ~ 2.9		4.0	6.5			
3.0 ~ 3.4		4.5				
3.5 ~ 3.9		5.0	8			
4.0 ~ 4.4		5.5				
4.5 ~ 4.9		6.0	4			1.5
5.0 ~ 5.4		7.0				
5.5 ~ 5.9		8.0				
6.0 ~ 6.4	9.0					
6.5 ~ 7.0	10	12				
7.5 ~ 8.0	11					
8.5 ~ 9.0	13	15				
9.5 ~ 10	14					
10.5 ~ 11	15					
11.5 ~ 12	16					
12.5 ~ 13	17					
13.5 ~ 14	18					
14.5 ~ 15	19					
15.5 ~ 16	20					
16.5 ~ 17	21					
17.5 ~ 18	22					
18.5 ~ 19	23					
19.5 ~ 20	25					



Order: **UBZ**. d1 x l



Bottle-neck Punch, Stepped

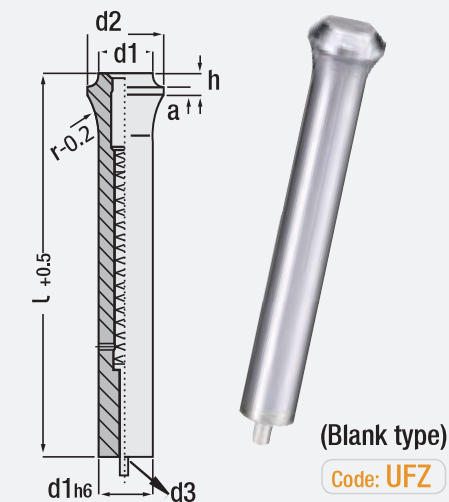
Code: **UKZ**

Material: 1.3343 (M2) Hardness: 62 - 64 HRC

d1	l	d2	l2	d4	h
0.8 ~ 2.9	71	3	10	4.5	3
1.0 ~ 3.9		4		5.5	
1.2 ~ 4.9	80	5	11	7.0	4
1.6 ~ 5.9		6		9.0	
2.5 ~ 7.9	71	8	13	11	4
4.0 ~ 9.9		10		17	
5.0 ~ 12.9	80	13	17	17	4
8.0 ~ 15.9		16		17	
12 ~ 19.9	100	20	17	25	



Order: **UKZ**. d1 x d2 x l2 x l



Bottle-neck Punch with Ejector

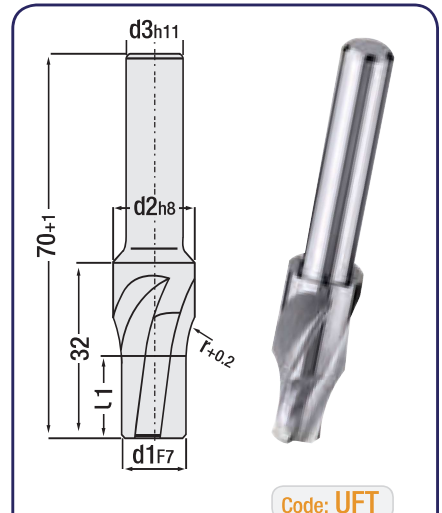
Code: **UFZ**

Material: 1.3343 (M2) Hardness: 62 - 64 HRC

d1	l	d2	d3	r	h	a
6.0	71	9.0	4	10	4	1.5
8.0		11	5	12		
10	80	14	5	15	4	1.5
13		17	6	15		
16	100	20	6	15	4	1.5
20		25	6	15		



Order: **UFZ**. d1 x l



Code: **UFT**

Piloted Counterbore Punch

(for tapered head)

d1	d2	d3	r	l1	x(d1)	
2.0	3.3	3.3	3.5	5	01	
2.1 ~ 2.2	3.5	3.5	5.0			
2.3 ~ 2.5	3.8	3.8				
2.6 ~ 2.9	4.3	4.3	6.0	7		
3.0 ~ 3.4	4.9	4.9				
3.5 ~ 3.9	5.4	5.4	8.0	8		
4.0 ~ 4.4	5.9	5.9				
4.5 ~ 4.9	6.4	6.4	10	10		
5.0 ~ 5.4	7.4	7.4				
5.5 ~ 5.9	8.5	8.5	12	12		
6.0	9.5	10			15	15
6.5 ~ 7.0	10.5					
7.5 ~ 8.0	11.5					
8.5 ~ 9.0	13.5					
9.5 ~ 10	14.5					
10.5 ~ 11	15.5					
11.5 ~ 12	16.5					
12.5 ~ 13	17.5					
13.5 ~ 14	18.5					
14.5 ~ 15	19.5	16	15	15		
15.5 ~ 16	20.5					
16.5 ~ 17	21.5					
17.5 ~ 18	22.5					
18.5 ~ 19	23.5					
19.5 ~ 20	25.5					



Order: **UFT**. d1

